

General Description

The AOZ1210AI evaluation board is a fully assembled and tested circuit board built with the AOZ1210AI buck regulator IC. It outputs an adjustable voltage up to 2A of continuous current. The evaluation board requires an input voltage from 4.5 to 27V. The output voltage is preset at 3.3V and can be adjusted down to 0.8V.

The AOZ1210AI-EVB circuit has features like current limit, short circuit protection, input under voltage lock out, internal soft start and thermal shut down. It operates at a fixed 370kHz switching frequency. The integrated internal MOSFET minimizes component count, board area and total cost.

The AOZ1210AI-EVB demonstrates the simple buck converter design. Only one resistor value change is needed for different output voltage designs. The AOZ1210AI-EVB also supports single layer board design.

Features

- 4.5V to 27V operating input voltage range
- Output voltage preset to 3.3V, adjustable to as low as 0.8V
- 2A continuous output current
- Fixed 370kHz PWM operation
- Internal soft start
- Cycle-by-cycle current limit
- Short-circuit protection
- Thermal shutdown
- Enables single layer board design

Applications

- Point of load DC/DC conversion
- PCIe graphics cards
- Set top boxes
- DVD drives and HDD
- LCD panels
- Cable modems
- Telecom/Networking/Datacom equipment

Evaluation Board Schematic

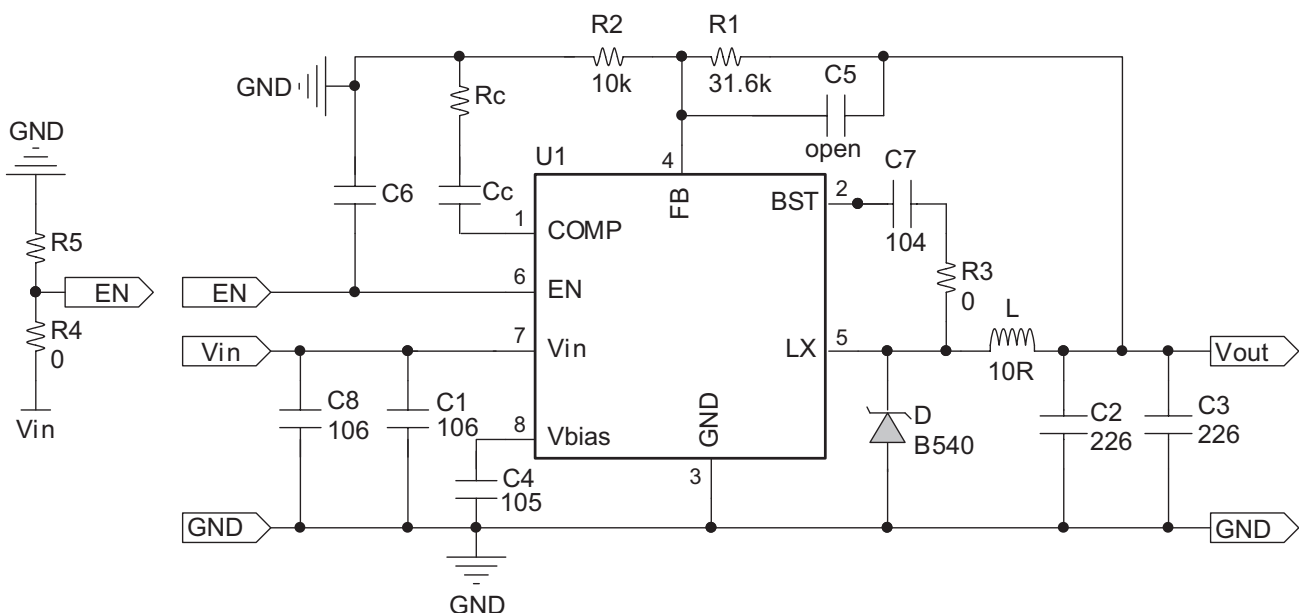


Table 1. Component List

Ref Designator	Part Number	Description	Manufacturer
C1, C8	GRM32DR71E106KA12L	Cap, 10uF 1210 35V X7R 10%	muRata
C2,C3	GRM32ER61E226KE15L	Cap, 22uF 1210 25V X5R 10%	muRata
C4	GRM188R71H105KA01D	Cap, 1uF/50V, 0603, X7R 10%	muRata
C5	Open	Cap, 0603	TDK; muRata
C6, Cc	C1608C0G1H102J	Cap, 1000pF 0603 50V X7R 10%	TDK
	GRM188R71H102KA01D		muRata
C7	GRM188R71H104KA01D	Cap, 0.1uF 0603 50V X7R 10%	muRata
D	B540	Diode, Onsemi	Onsemi
L	VLF10040-100M3R8	Ind, 10uH, 3.8A	TDK
R1	31.6k	Res, 31.6k, 0603, 1%, 1/10W	
R2, Rc	10k	Res, 10k, 0603, 1%, 1/10W	
R3, R4	0	Res,0, 0603	
R5	Open	Res, 0603	
U1	AOZ1210AI	IC, MAX 2A SO8	AOS

Output voltage is set by R1: $R1 = R2 \cdot (V_{out} - 0.8) / 0.8$. Table 2 below shows the value of R1 at typical output voltages.

Table 2.

Vout (V)	R1 (kΩ)	R2 (kΩ)
0.8	1	Open
1	2.49	10
1.2	4.99	10
1.5	8.66	10
1.8	12.7	10
2.5	21.5	10
3.3	31.6	10
5	52.3	10

PCB Layout

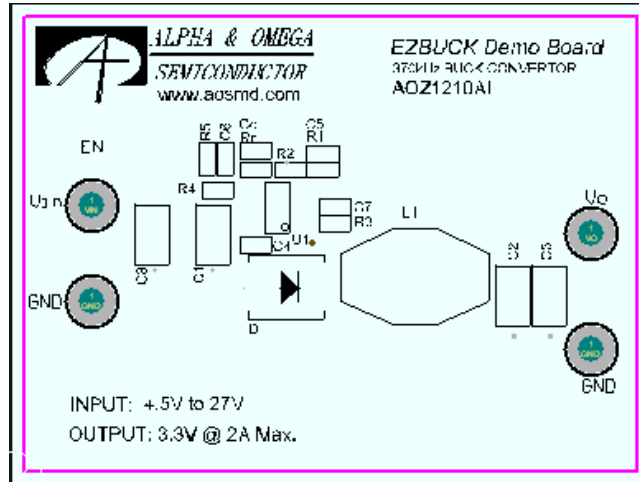


Figure 1. Top Silk Screen

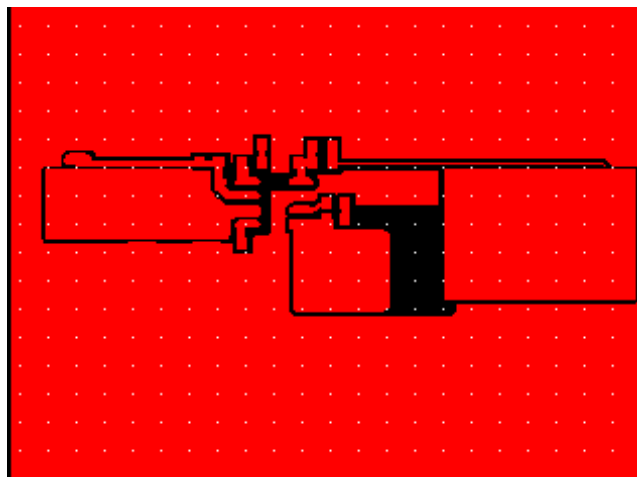


Figure 2. Top Layer

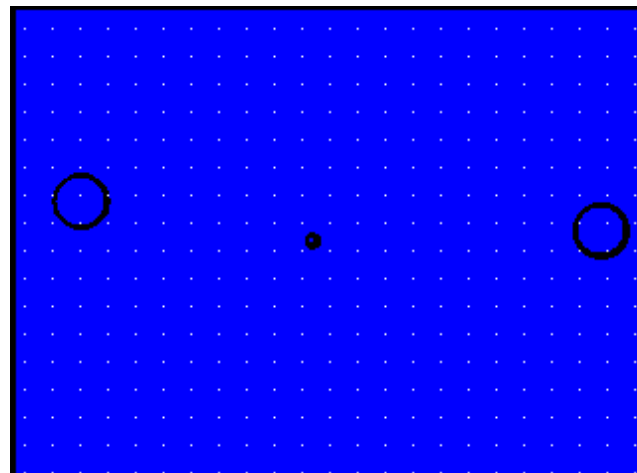


Figure 3. Bottom Layer

Quick Start Guide

1. Connect the terminals of load to Vout and GND port.
2. Connect the DC power supply to Vin and GND port. Set DC power supply voltage to between 4.5V and 27V.
3. EN pin is connected to Vin via a 0Ω resistor in the demo board. If a separate enable signal is desired, connect EN pin to any voltage source between 2.0V and 27.
4. Measure input voltage at the Vin and GND ports to eliminate the effect of voltage drop on the wire between DC power supply and evaluation board.
5. Measure output voltage at the Vout and GND ports to eliminate the effect of voltage drop on the wire between load and evaluation board.
6. Use an oscilloscope to monitor the input ripple voltage across input capacitor C1.
7. Use an oscilloscope to monitor the output ripple voltage across output capacitor C3.

Note:

When testing the ripple voltage, remove the cap of the voltage probe and touch the probe tip directly across the Vin or Vout and GND terminals, as shown in Figure 4.

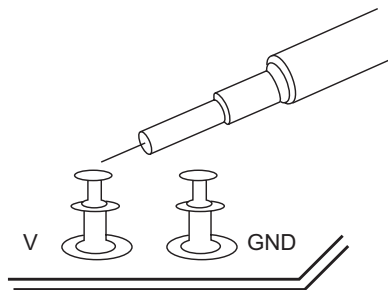


Figure 4. Voltage Ripple Test

Alpha & Omega Semiconductor reserves the right to make changes at any time without notice.

LIFE SUPPORT POLICY

ALPHA & OMEGA SEMICONDUCTOR PRODUCTS ARE NOT AUTHORIZED FOR USE AS CRITICAL COMPONENTS IN LIFE SUPPORT DEVICES OR SYSTEMS.

As used herein:

1. Life support devices or systems are devices or systems which, (a) are intended for surgical implant into the body or (b) support or sustain life, and (c) whose failure to perform when properly used in accordance with instructions for use provided in the labeling, can be reasonably expected to result in a significant injury of the user.

2. A critical component in any component of a life support, device, or system whose failure to perform can be reasonably expected to cause the failure of the life support device or system, or to affect its safety or effectiveness.