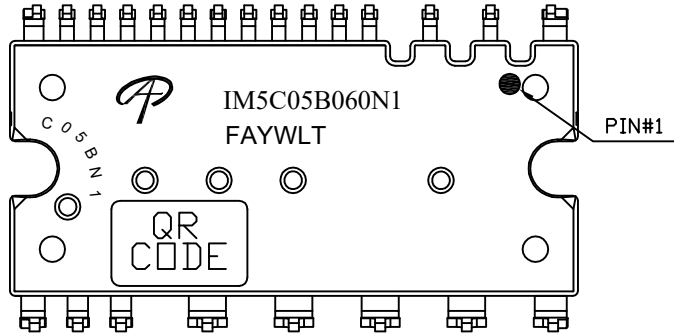




Document No.	PD-04800
Version	A
Title	AIM5C05B060N1 Marking Description

IPM-5 PACKAGE MARKING DESCRIPTION



Green product

NOTE:	
LOGO	- AOS Logo
IM5C05B060N1	- Part number code
F	- Fab code
A	- Assembly location code
Y	- Year code
W	- Week code
L&T	- Assembly lot code
C05BN1	- circle marking

PART NO.	DESCRIPTION	CODE
AIM5C05B060N1	Green product	IM5C05B060N1