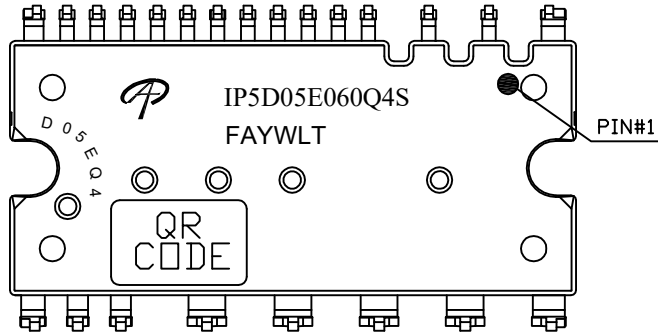




Document No.	PD-03640
Version	A
Title	AIP5D05E060Q4S Marking Description

IPM-5A PACKAGE MARKING DESCRIPTION



Green product

NOTE:

IP5D05E060Q4S - Part number code  
F - Fab code  
A - Assembly location code  
Y - Year code  
W - Week code  
L&T - Assembly lot code  
D05EQ4 - circle marking

PART NO.	DESCRIPTION	CODE
AIP5D05E060Q4S	Green product	IP5D05E060Q4S