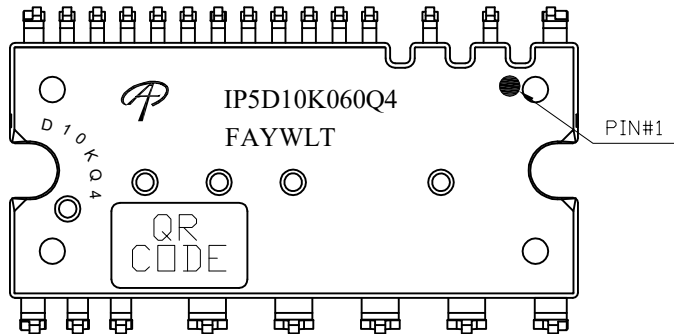




Document No.	PD-04838
Version	A
Title	AIP5D10K060Q4 Marking Description

IPM-5 PACKAGE MARKING DESCRIPTION



Green product

NOTE:

- IP5D10K060Q4 - Part number code
- F - Fab code
- A - Assembly location code
- Y - Year code
- W - Week code
- L&T - Assembly lot code
- D10KQ4 - circle marking

PART NO.	DESCRIPTION	CODE
AIP5D10K060Q4	Green product	IP5D10K060Q4