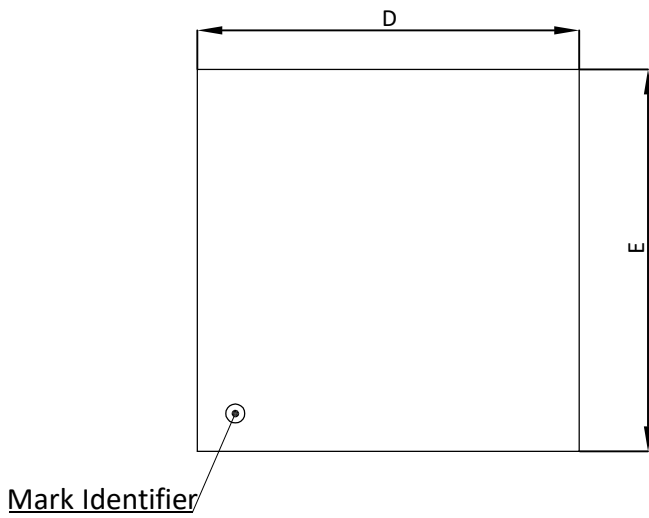
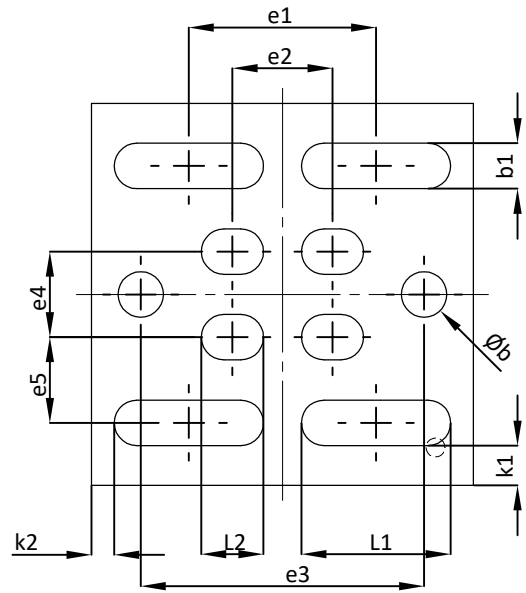




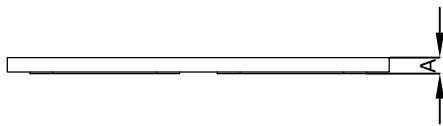
AlphaDFN2.52x2.52_10 PACKAGE OUTLINE



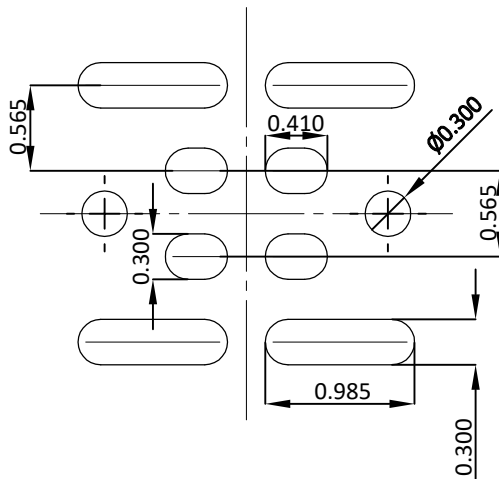
TOP VIEW



BOTTOM VIEW



SIDE VIEW



RECOMMENDED LAND PATTERN

SYMBOLS	DIM. IN MM			DIM. IN INCH		
	MIN.	NOM.	MAX.	MIN.	NOM.	MAX.
A	---	0.106	0.130	---	0.004	0.005
b	0.270	0.300	0.330	0.011	0.012	0.013
b1	0.270	0.300	0.330	0.011	0.012	0.013
D	2.490	2.520	2.550	0.098	0.099	0.100
E	2.490	2.520	2.550	0.098	0.099	0.100
e1	1.235BSC			0.049BSC		
e2	0.660BSC.			0.026BSC		
e3	1.870BSC.			0.074BSC		
e4	0.565BSC.			0.022BSC		
e5	0.565BSC			0.022BSC		
L1	0.955	0.985	1.015	0.038	0.039	0.040
L2	0.380	0.410	0.440	0.015	0.016	0.017
K1	---	0.263	---	---	0.010	---
K2	---	0.150	---	---	0.006	---

NOTE:

1. CONTROLLED DIMENSIONS ARE IN MILLIMETERS.
2. TOP VIEW IS THE VIEW OF TOP SURFACE OF THE PART HAVING INDEX AND PART NUMBER MARKING.
3. THIS PACKAGE WAS QUALIFIED USING IR REFLOW PROCESS (JEDEC STANDARD). FOR USAGE IN OTHER SOLDERING PROCESSES, PLEASE CONTACT LOCAL AOS REPRESENTATIVES.