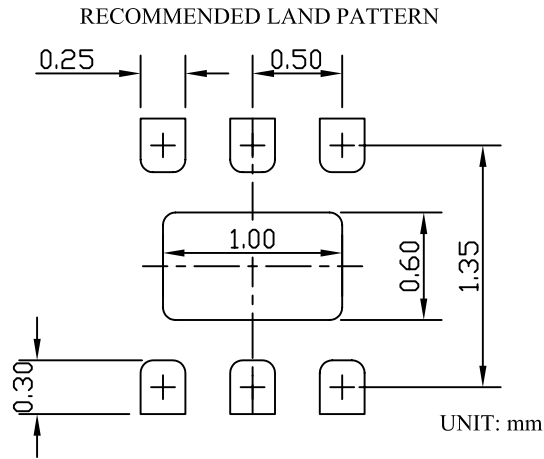
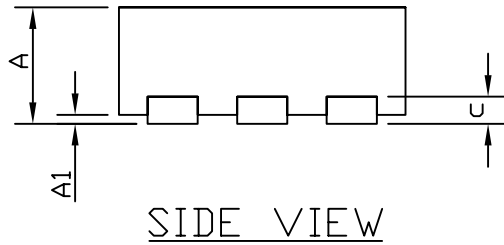
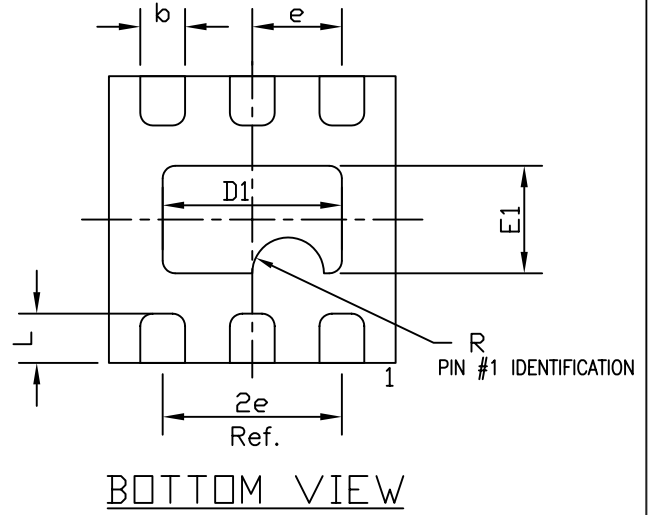
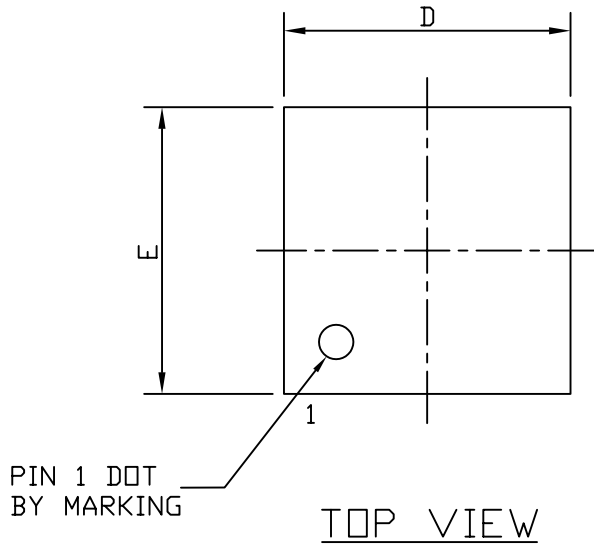




DFN1.6x1.6_6L_EP1_S PACKAGE OUTLINE



SYMBOLS	DIMENSIONS IN MILLIMETERS			DIMENSIONS IN INCHES		
	MIN	NOM	MAX	MIN	NOM	MAX
A	0.50	0.55	0.60	0.020	0.022	0.024
A1	0.00	---	0.05	0.000	---	0.002
b	0.22	0.25	0.28	0.009	0.010	0.011
c	0.152 Ref.			0.006 Ref.		
D	1.55	1.60	1.65	0.061	0.063	0.065
D1	0.95	1.00	1.05	0.037	0.039	0.041
E	1.55	1.60	1.65	0.061	0.063	0.065
E1	0.55	0.60	0.65	0.022	0.024	0.026
e	0.50 BSC			0.020 BSC		
L	0.225	0.275	0.325	0.009	0.011	0.013
R	---	0.20	---	---	0.008	---

NOTE
1. CONTROLLING DIMENSION IS MILLIMETER.
CONVERTED INCH DIMENSIONS ARE NOT NECESSARILY EXACT.