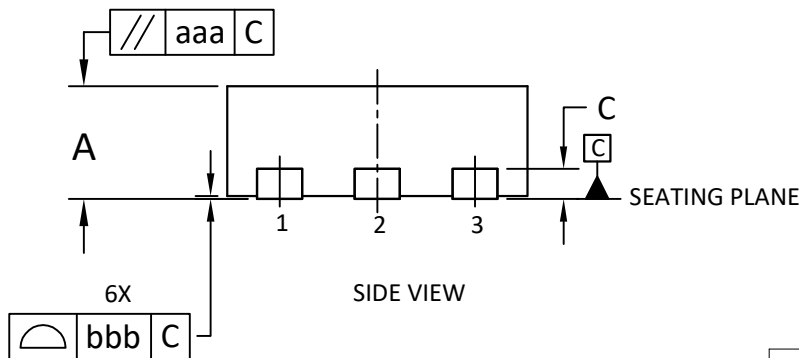
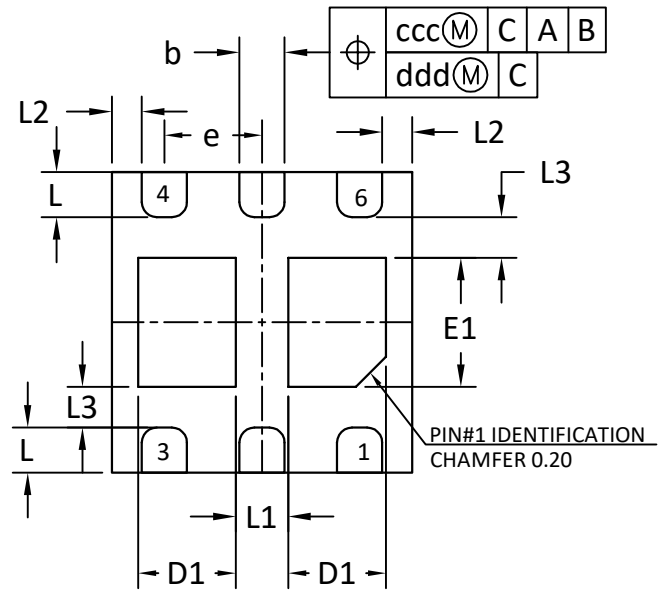
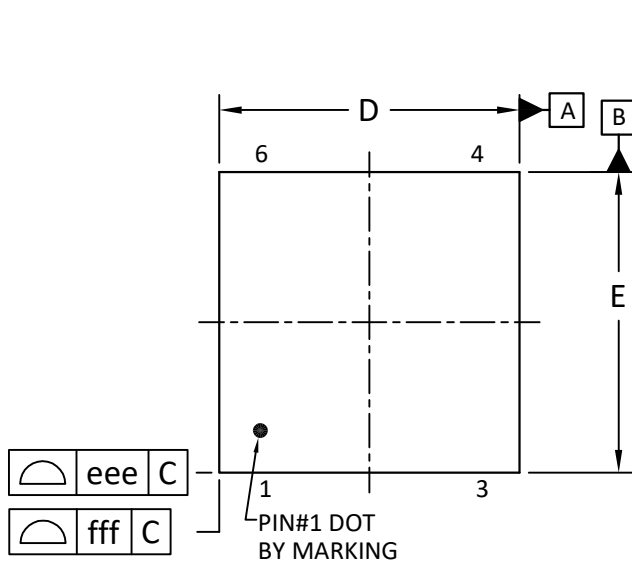
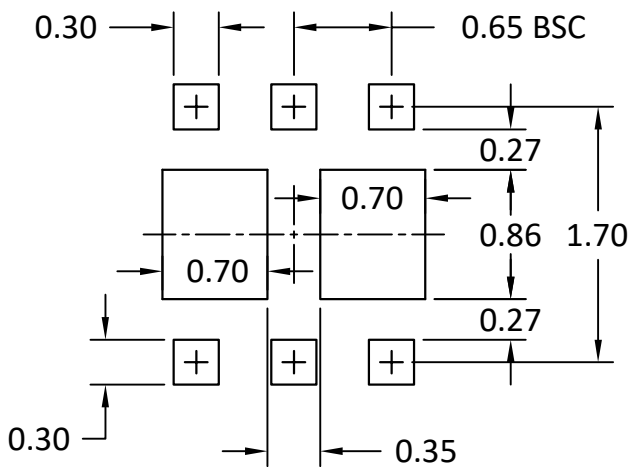




## DFN2x2\_6L\_EP2\_S PACKAGE OUTLINE



RECOMMENDED LAND PATTERN



SYMBOLS	DIMENSIONS IN MILLIMETERS			DIMENSIONS IN INCHES		
	MIN	NOM	MAX	MIN	NOM	MAX
A	0.70	0.75	0.80	0.028	0.030	0.031
b	0.25	0.30	0.35	0.010	0.012	0.014
c	0.20 Ref.			0.008 Ref.		
D	1.90	2.00	2.10	0.075	0.079	0.083
D1	0.620	0.650	0.680	0.024	0.026	0.027
E	1.90	2.00	2.10	0.075	0.079	0.083
E1	0.76	0.86	0.96	0.030	0.034	0.038
e	0.65 BSC			0.026 BSC		
L	0.25	0.30	0.35	0.010	0.012	0.014
L1	0.320	0.350	0.380	0.013	0.014	0.015
L2	0.170	0.200	0.230	0.007	0.008	0.009
L3	0.240	0.270	0.300	0.009	0.011	0.012
aaa	---	0.100	---	---	0.004	---
bbb	---	0.080	---	---	0.003	---
ccc	---	0.100	---	---	0.004	---
ddd	---	0.050	---	---	0.002	---
eee	---	0.150	---	---	0.006	---
fff	---	0.150	---	---	0.006	---

**NOTE**

1. CONTROLLING DIMENSION IS MILLIMETER.  
CONVERTED INCH DIMENSIONS ARE NOT NECESSARILY EXACT.
2. THIS PACKAGE WAS QUALIFIED USING IR REFLOW PROCESS (JEDEC STANDARD). FOR USAGE IN OTHER SOLDERING PROCESSES, PLEASE CONTACT LOCAL AOS REPRESENTATIVES.