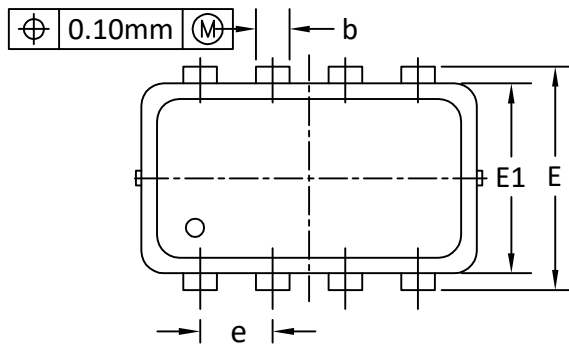
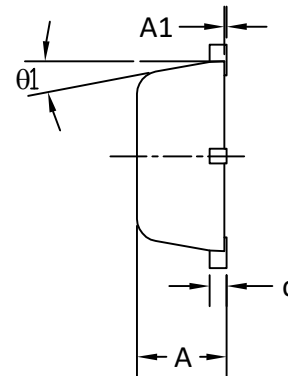




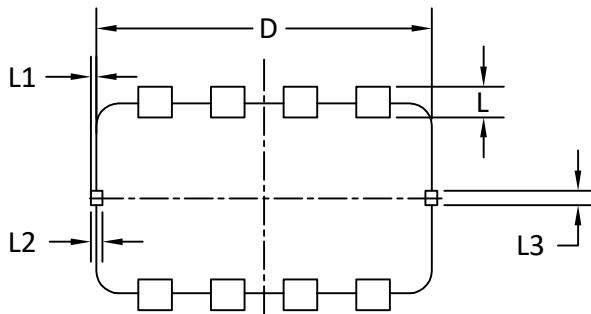
DFN3x2A_8L_NEP_P PACKAGE OUTLINE



TOP VIEW

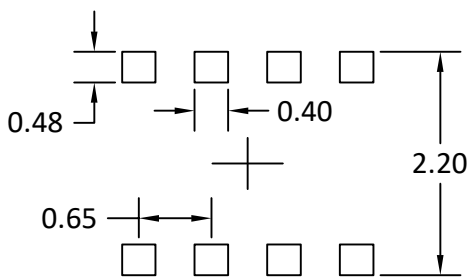


SIDE VIEW



BOTTOM VIEW

RECOMMENDED LAND PATTERN



UNIT: mm

SYMBOLS	DIMENSIONS IN MILLIMETERS			DIMENSIONS IN INCHES		
	MIN	NOM	MAX	MIN	NOM	MAX
A	0.70	0.80	0.90	0.028	0.031	0.035
A1	0.00	---	0.05	0.000	---	0.002
b	0.24	0.30	0.35	0.009	0.012	0.014
c	0.08	0.15	0.25	0.003	0.006	0.010
D	3.00 BSC			0.118 BSC		
E	2.00 BSC			0.079 BSC		
E1	1.70 BSC			0.067 BSC		
e	0.65 BSC			0.026 BSC		
L	0.20	0.28	0.40	0.008	0.011	0.016
L1	0	---	0.10	0	---	0.004
L2	0.055	0.105	0.155	0.002	0.004	0.006
L3	0.08	0.130	0.180	0.003	0.005	0.007
θ1	0°	10°	12°	0°	10°	12°

NOTE

1. PACKAGE BODY SIZES EXCLUDE MOLD FLASH AND GATE BURRS.
MOLD FLASH AT THE NON-LEAD SIDES SHOULD BE LESS THAN 6 MIL EACH.
2. CONTROLLING DIMENSION IS MILLIMETER.
CONVERTED INCH DIMENSIONS ARE NOT NECESSARILY EXACT.
3. TIE BARS ARE CONNECTED TO DRAIN LEADS.
4. THIS PACKAGE WAS QUALIFIED USING IR REFLOW PROCESS (JEDEC STANDARD). FOR USAGE IN OTHER SOLDERING PROCESSES, PLEASE CONTACT LOCAL AOS REPRESENTATIVES.