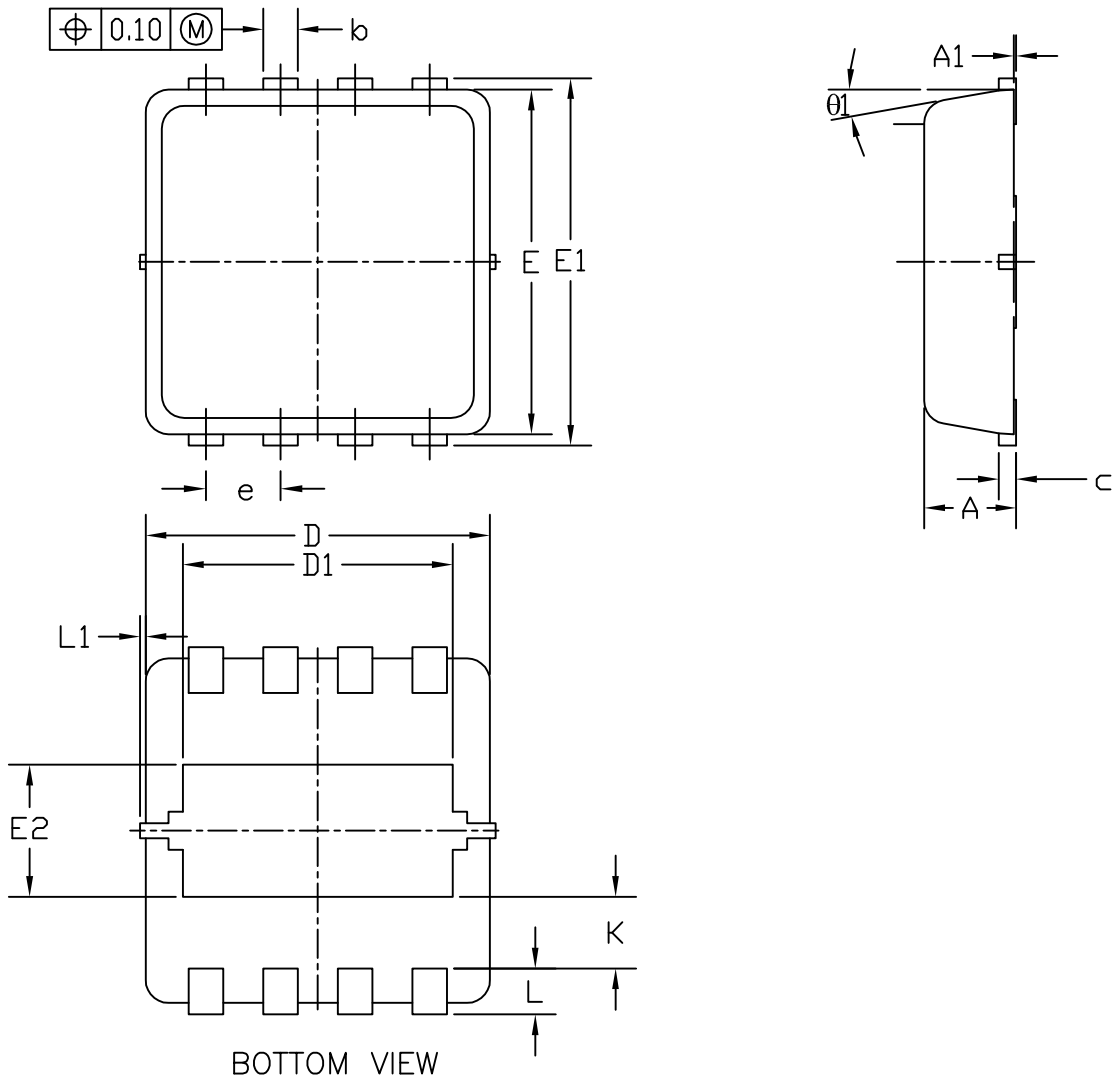
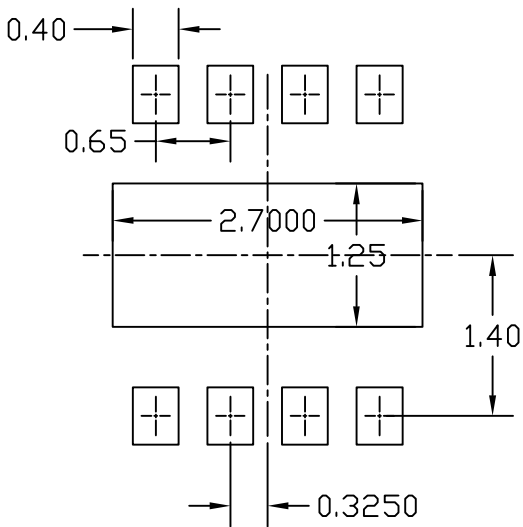




DFN3x3B_8L_EP1_P PACKAGE OUTLINE



RECOMMENDED LAND PATTERN



| SYMBOLS | DIMENSIONS IN MILLIMETERS | | | DIMENSIONS IN INCHES | | |
|------------|---------------------------|-------|-------|----------------------|-------|-------|
| | MIN | NOM | MAX | MIN | NOM | MAX |
| A | 0.70 | 0.80 | 0.90 | 0.028 | 0.031 | 0.035 |
| A1 | 0.00 | --- | 0.05 | 0.000 | --- | 0.002 |
| b | 0.24 | 0.30 | 0.35 | 0.009 | 0.012 | 0.014 |
| c | 0.10 | 0.15 | 0.25 | 0.004 | 0.006 | 0.010 |
| D | 2.90 | 3.00 | 3.10 | 0.114 | 0.118 | 0.122 |
| D1 | 2.15 | 2.35 | 2.55 | 0.085 | 0.093 | 0.100 |
| E | 2.90 | 3.00 | 3.10 | 0.114 | 0.118 | 0.122 |
| E1 | 3.05 | 3.20 | 3.35 | 0.120 | 0.126 | 0.132 |
| E2 | 1.10 | 1.15 | 1.20 | 0.043 | 0.045 | 0.047 |
| e | 0.60 | 0.65 | 0.70 | 0.024 | 0.026 | 0.028 |
| K | 0.575 | 0.625 | 0.675 | 0.023 | 0.025 | 0.027 |
| L | 0.30 | 0.40 | 0.50 | 0.012 | 0.016 | 0.020 |
| L1 | 0 | --- | 0.10 | 0 | --- | 0.004 |
| $\theta 1$ | 0° | 10° | 12° | 0° | 10° | 12° |

NOTE

1. PACKAGE BODY SIZES EXCLUDE MOLD FLASH AND GATE BURRS.
MOLD FLASH AT THE NON-LEAD SIDES SHOULD BE LESS THAN 6 MILS EACH.
2. CONTROLLING DIMENSION IS MILLIMETER.
CONVERTED INCH DIMENSIONS ARE NOT NECESSARILY EXACT.