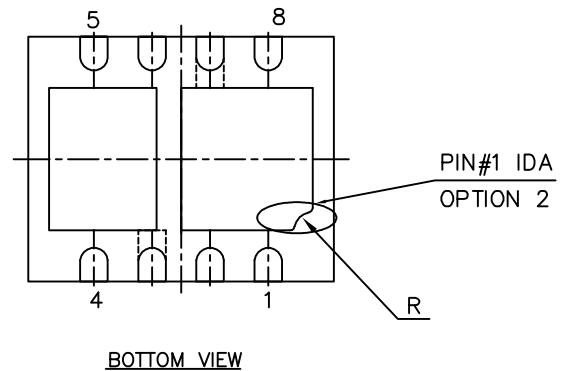
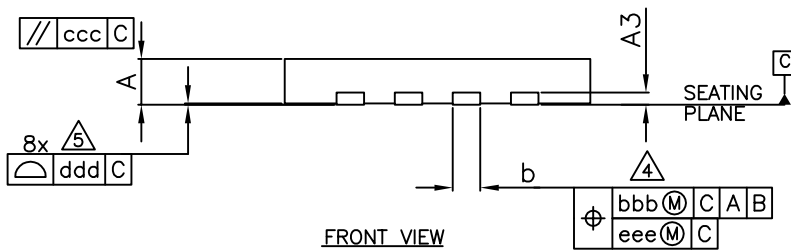
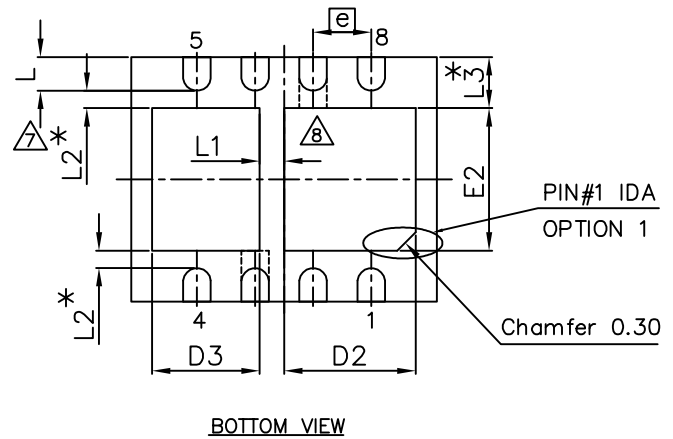
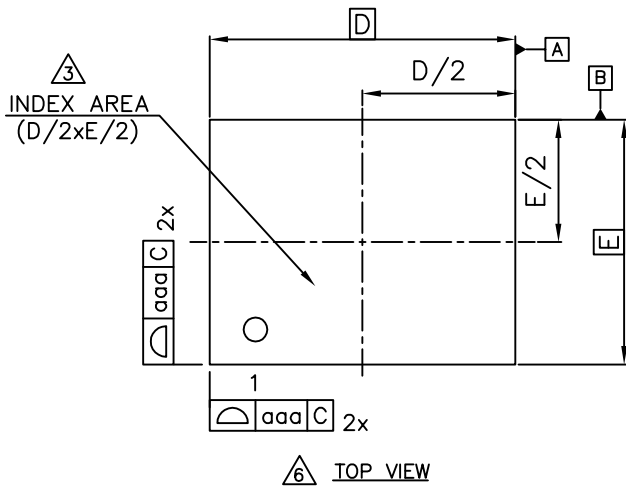
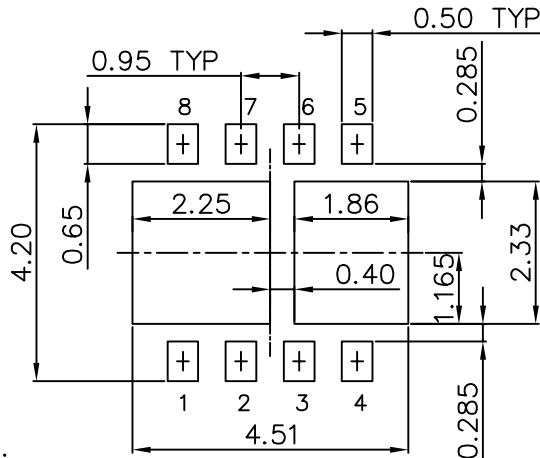




DFN5x4A_8L_EP2_S PACKAGE OUTLINE



RECOMMENDED LAND PATTERN



Unit:mm

SYMBOL	DIMENSIONS IN MILLIMETERS			DIMENSIONS IN INCHES		
	MIN.	NOM.	MAX.	MIN.	NOM.	MAX.
A	0.70	0.75	0.80	0.028	0.030	0.031
A3	0.20 REF.			0.008 REF.		
b	0.40	0.45	0.50	0.016	0.018	0.020
D	4.90	5.00	5.10	0.193	0.197	0.201
D2	2.05	2.15	2.25	0.081	0.085	0.089
D3	1.66	1.76	1.86	0.065	0.069	0.073
E	3.90	4.00	4.10	0.154	0.157	0.161
E2	2.23	2.33	2.43	0.088	0.092	0.096
E	0.95 BSC			0.037 BSC		
L	0.50	0.55	0.60	0.020	0.022	0.024
L1	---	0.40	---	---	0.016	---
L2	0.285 REF.			0.011 REF.		
L3	0.835 REF.			0.033 REF.		
R	0.30 REF.			0.012 REF.		
aaa	0.15			0.006		
bbb	0.10			0.004		
ccc	0.10			0.004		
ddd	0.08			0.003		
eee	0.05			0.002		

Note:

1. Dimensioning and tolerancing conform to ASME Y14.5M-1994.
2. All dimensions are in millimeters.
3. The location of the terminal #1 identifier and terminal numbering convention conforms to JEDEC publication 95 SPP-002.
4. Dimension b applies to metallized terminal and is measured between 0.15mm and 0.30mm from the terminal tip. If the terminal has the optional radius on the other end of the terminal, the dimension b should not be measured in that radius area.
5. Coplanarity applies to the terminals and all other bottom surface metallization.
6. Drawing shown are for illustration only.
7. The dimensions with * are just for reference.
8. PIN#3 AND PIN#7 ARE FUSED TO DAP.