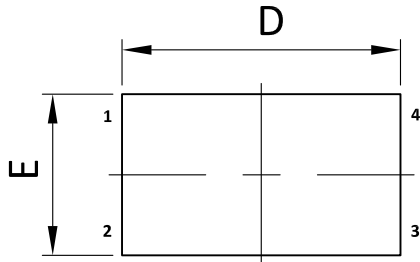
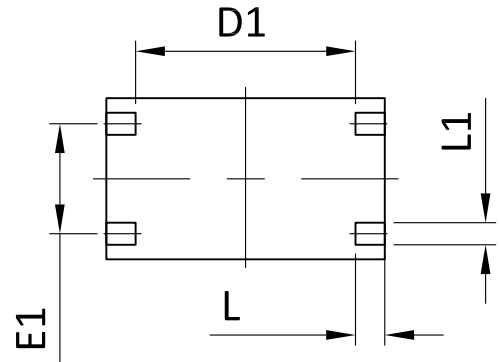




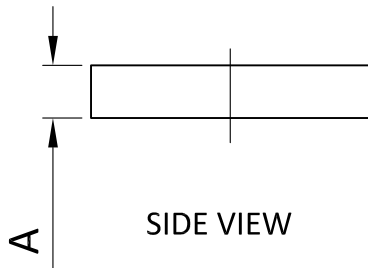
DFN9.5x5.5_4L_S Package Outline



TOP VIEW

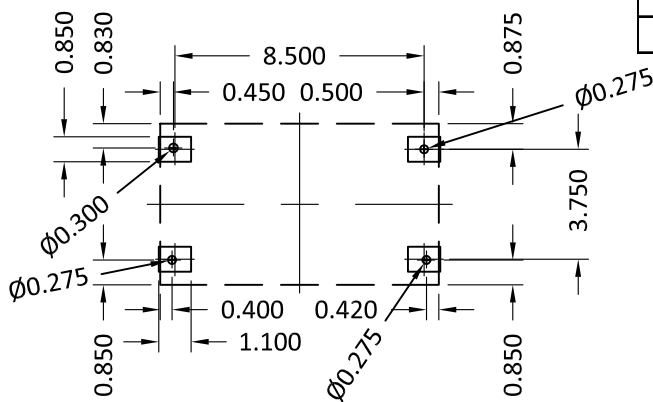


SIDE VIEW



SIDE VIEW

LAND PATTERN RECOMMENDATIONS



UNIT: mm

SYMBOLS	DIMENSION IN MILLIMETRES			DIMENSION IN INCHS		
	MIN.	NOM.	MAX.	MIN.	NOM.	MAX.
A	1.620	1.800	1.980	0.064	0.071	0.078
D	9.420	9.500	9.580	0.371	0.374	0.377
D1	7.350	7.500	7.650	0.289	0.295	0.301
E	5.400	5.500	5.600	0.213	0.217	0.220
E1	3.600	3.750	3.900	0.142	0.148	0.154
L	0.800	1.000	1.200	0.031	0.039	0.047
L1	0.650	0.750	0.850	0.026	0.030	0.033

NOTES

1. TOLERANCE 0.100 MILLIMETERS UNLESS OTHERWISE SPECIFIED.
2. CONTROLLING DIMENSION IS MILLIMETER, CONVERTED INCH DIMENSIONS ARE NOT NECESSARILY EXACT.