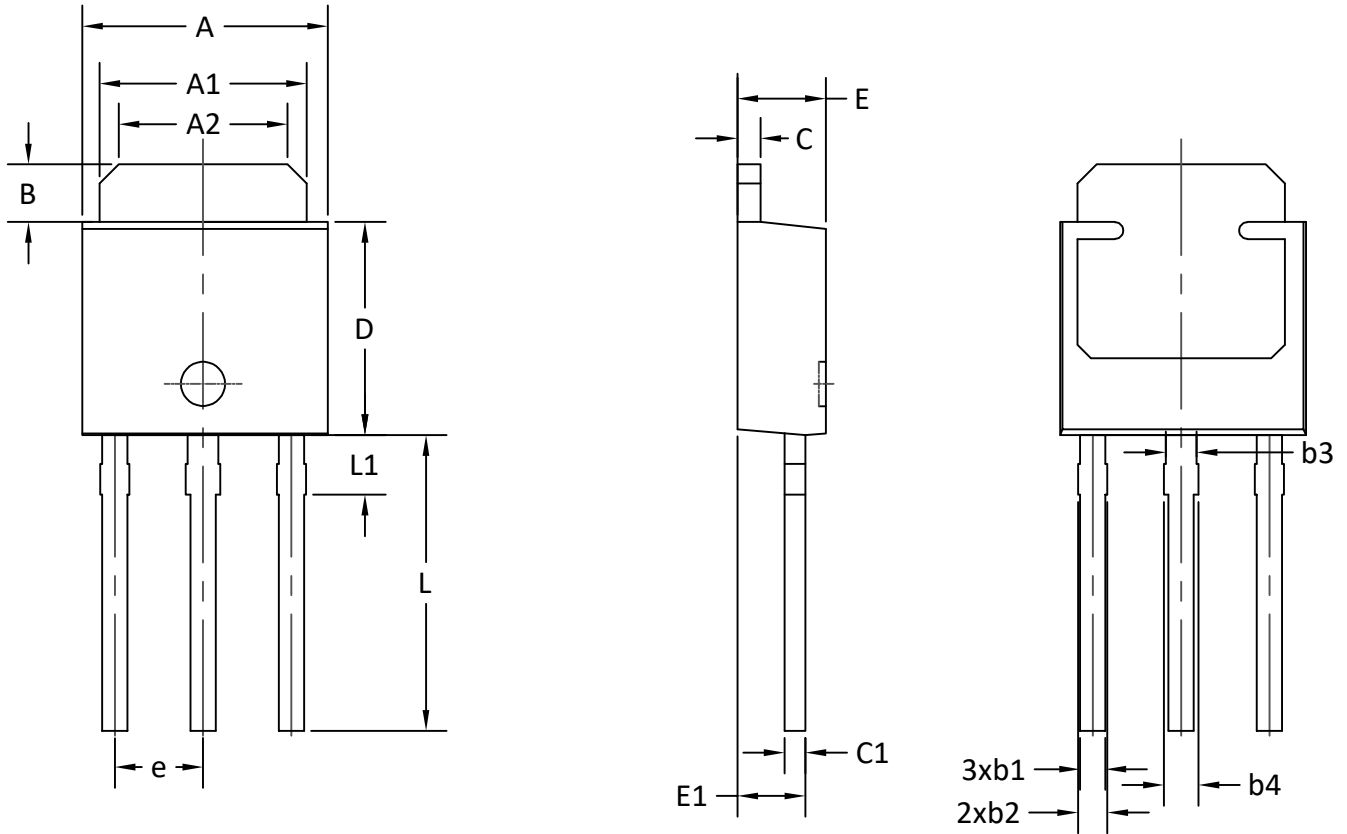
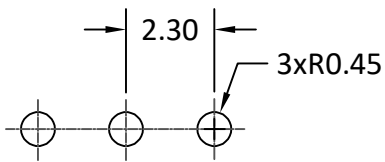


TO251 PACKAGE OUTLINE



RECOMMENDED LAND PATTERN



UNIT:mm

SYMBOLS	DIM. IN MM			DIM. IN INCH		
	MIN.	NOM.	MAX.	MIN.	NOM.	MAX.
A	6.400	6.500	6.600	0.252	0.256	0.260
A1	5.300	2.400	5.500	0.209	0.094	0.217
A2	4.300	4.400	4.500	0.169	0.173	0.177
B	1.350	1.500	1.650	0.053	0.059	0.065
L1	1.55REF			0.061REF		
L	7.400	7.700	8.000	0.291	0.303	0.315
D	5.400	5.550	5.700	0.213	0.219	0.224
C	0.550	0.600	0.650	0.022	0.024	0.026
C1	0.490	0.540	0.59	0.019	0.021	0.023
E1	1.720	1.770	1.820	0.068	0.070	0.072
E	2.200	2.300	2.400	0.087	0.091	0.094
b1	0.600	----	0.75	0.024	----	0.030
b2	0.700	----	0.850	0.028	----	0.033
b3	0.800			0.031		
b4	0.900			0.035		
e	2.300			0.091		

NOTE

1. PACKAGE BODY SIZES EXCLUDE MOLD FLASH AND GATE BURRS. MOLD FLASH SHOULD BE LESS THAN 6 MIL.
2. TOLERANCE 0.100 MILLIMETERS UNLESS OTHERWISE SPECIFIED.
3. CONTROLLING DIMENSION IS MILLIMETER. CONVERTED INCH DIMENSIONS ARE NOT NECESSARILY EXACT.
4. REFER TO JEDEC TO-251D AA.