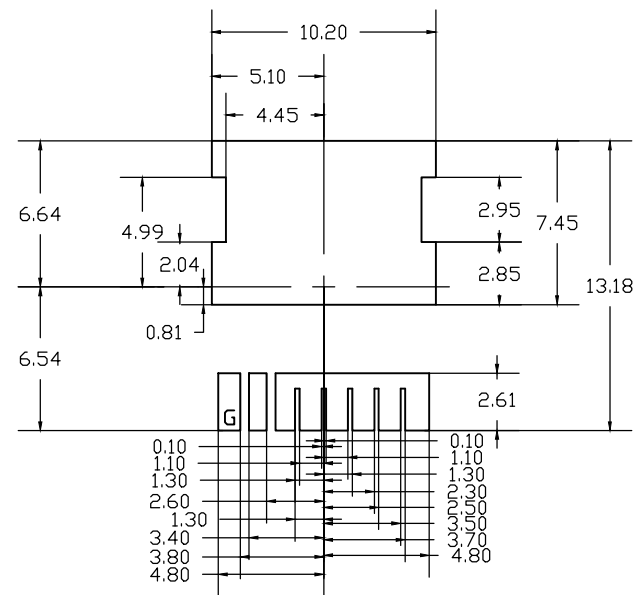
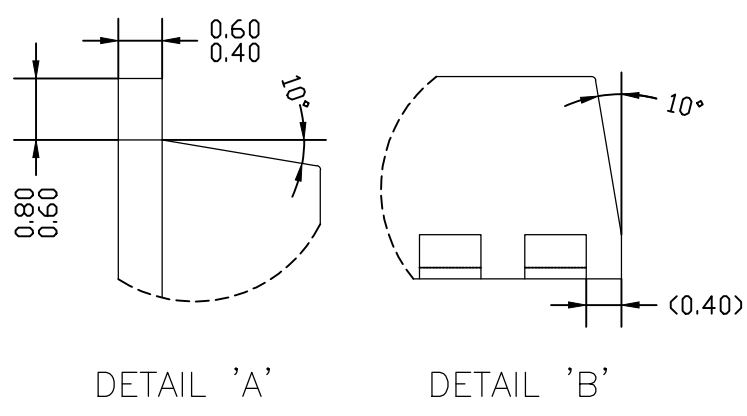
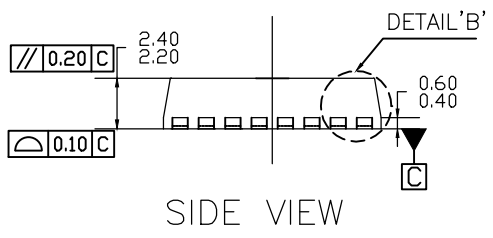
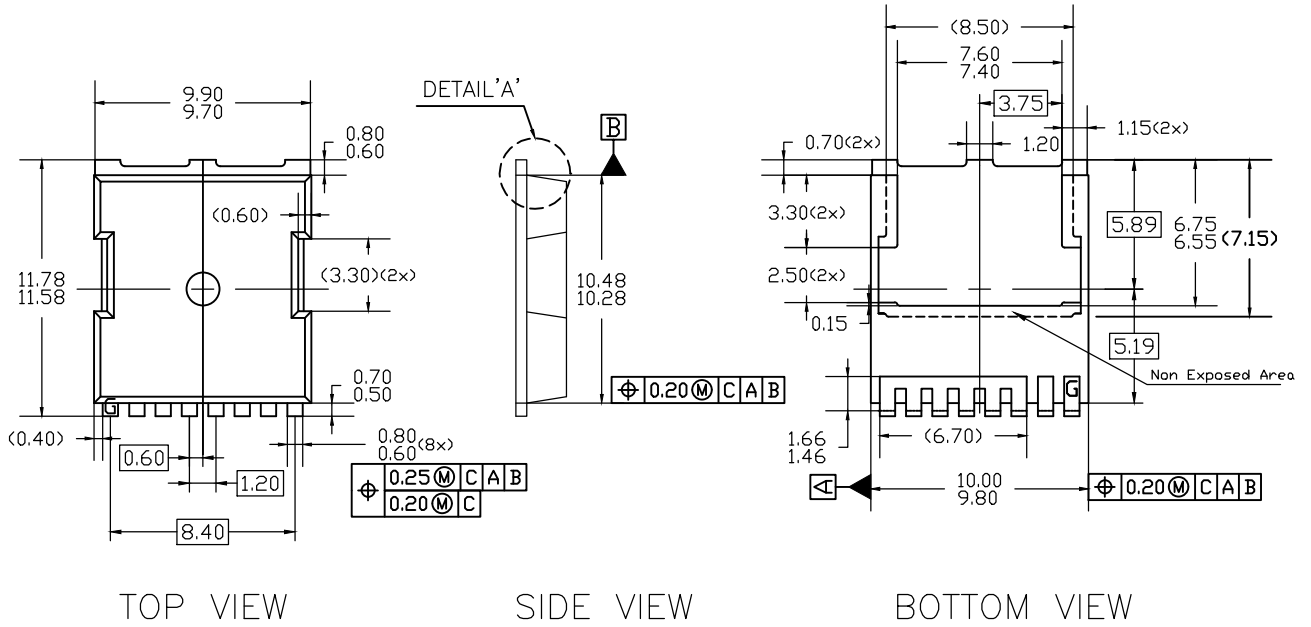




TOLL PACKAGE OUTLINE



UNIT: mm

NOTE
 A) PACKAGE BODY SIZES EXCLUDE MOLD FLASH AND GATE BURRS.
 MOLD FLASH SHOULD BE LESS THAN 6 MIL.
 B) TOLERANCE 0.100 MILLIMETERS UNLESS OTHERWISE SPECIFIED.
 C) CONTROLLING DIMENSION IS MILLIMETER.
 CONVERTED INCH DIMENSIONS ARE NOT NECESSARILY EXACT.
 D) < > IS REFERENCE

LAND PATTERN RECOMMENDATIONS