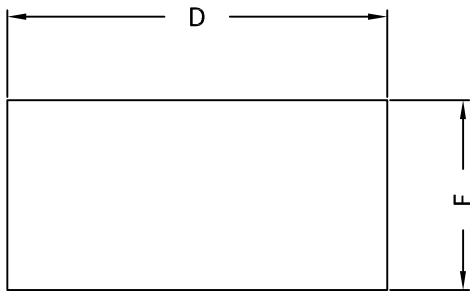
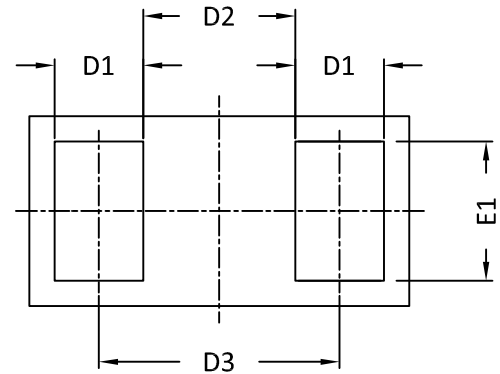




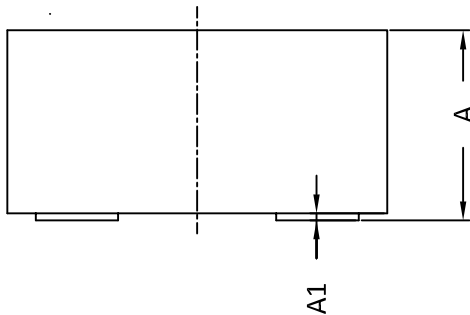
WLCSP0.6x0.3_2 PACKAGE OUTLINE



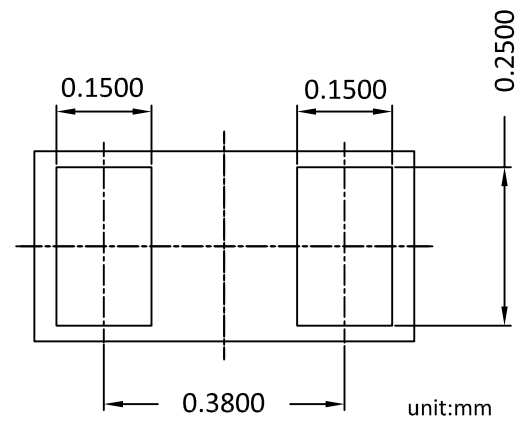
Top View



Bottom View



Side View



RECOMMEND LAND PATTERN

SYMBOLS	DIMENSION IN MILLIMETRES			DIMENSION IN INCHS		
	MIN.	NOM.	MAX.	MIN.	NOM.	MAX.
A	0.285	0.300	0.315	0.0112	0.0118	0.0124
A1	----	----	0.030	-----	-----	0.0012
D	0.575	0.600	0.625	0.0226	0.0236	0.0246
D1	0.110	0.140	0.170	0.0043	0.0055	0.0067
D2	0.190	0.240	0.290	0.0075	0.0094	0.0114
D3	----	0.380	----	-----	0.0150	-----
E	0.275	0.300	0.325	0.0108	0.0118	0.0128
E1	0.190	0.220	0.250	0.0075	0.0087	0.0098

NOTE

1. ALL DIMENSIONS ARE IN MILLIMETERS.
2. DIMENSIONS ARE INCLUSIVE OF PLATING.
3. CONTROLLING DIMENSION IS MILLIMETER. CONVERTED INCH DIMENSIONS ARE NOT NECESSARILY EXACT.
4. PADDLE EXPOSED ON BOTTOM.