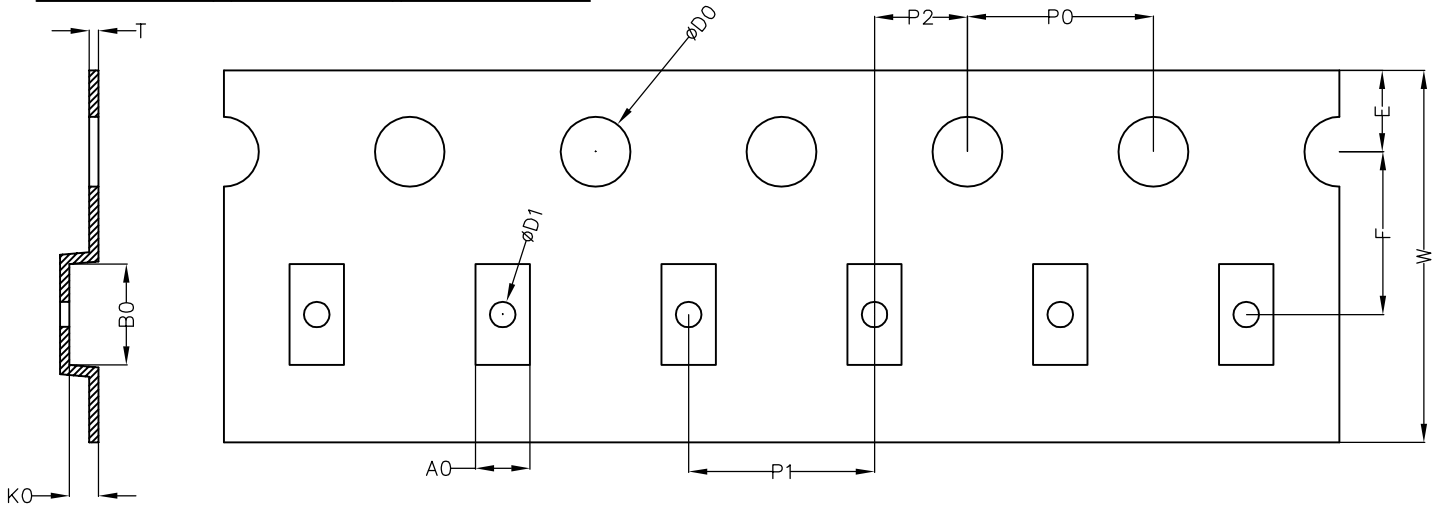




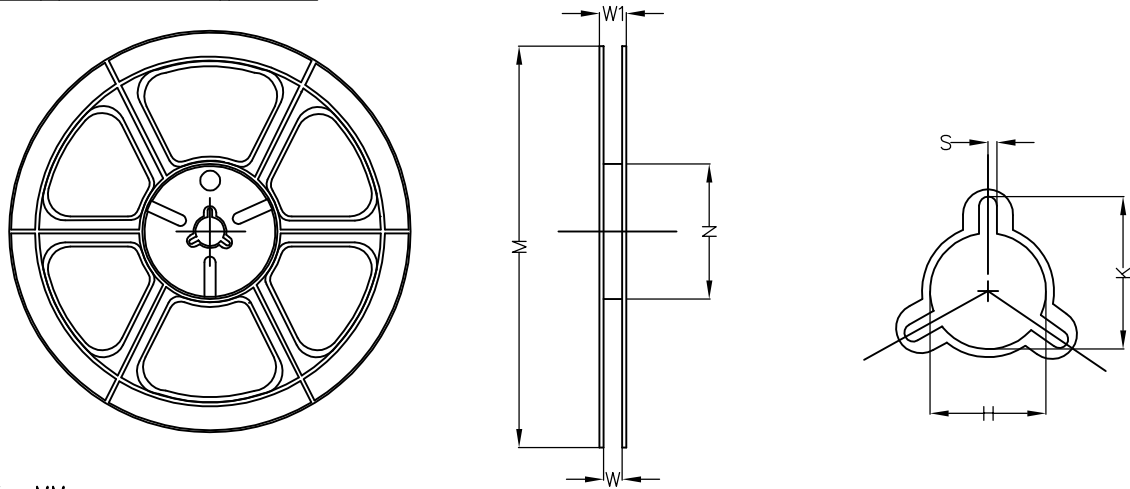
DFN2.0x1.0 5L NEP S Carrier Tape



UNIT: MM

PACKAGE	A0	B0	K0	D0	D1	W	E	F	P0	P1	P2	T
DFN2.0x1.0_5L	1.17 ±0.05	2.17 ±0.05	0.63 ±0.05	1.50 +0.10 -0.00	0.50 ±0.05	8.00 ±0.1	1.75 ±0.10	3.50 ±0.05	4.00 ±0.10	4.00 ±0.10	2.00 ±0.05	0.20 ±0.02

DFN2.0x1.0 5L NEP S REEL



UNIT: MM

TAPE SIZE	REEL SIZE	M	N	W	W1	H	K	S
8 mm	ø180	ø180.00 ±2.00	ø60.00 ±1.00	8.75 ±1.00	11.60 ±1.00	ø13.10 ±0.20	16.84 +0.20 -0.00	1.10 +0.20 -0.00

DFN2.0x1.0 5L NEP S TAPE

Leader / Trailer
& Orientation

Unit Per Reel:
3000pcs

