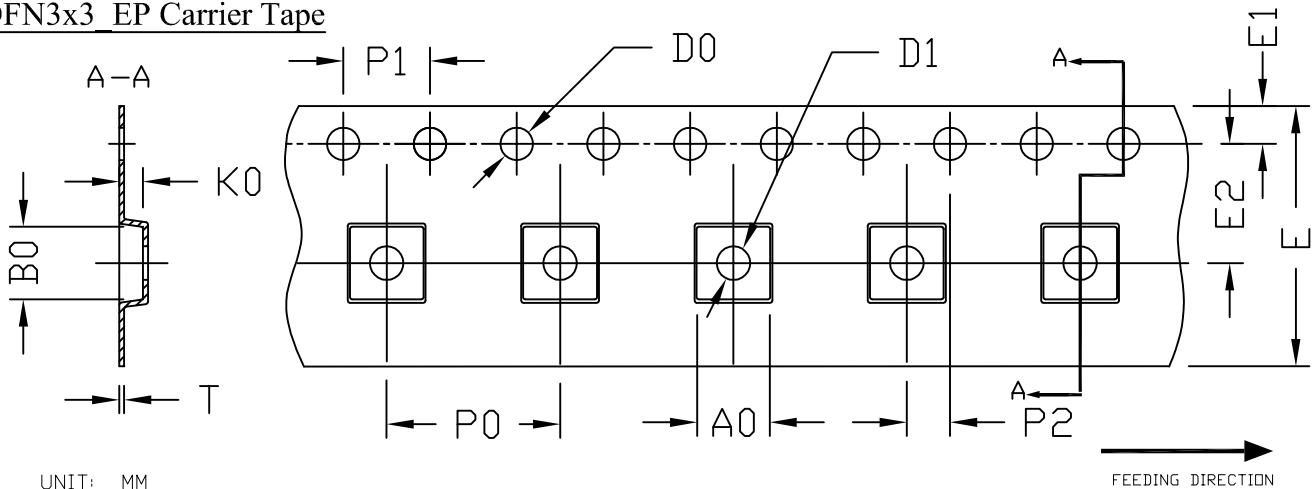




DFN3x3 EP Carrier Tape

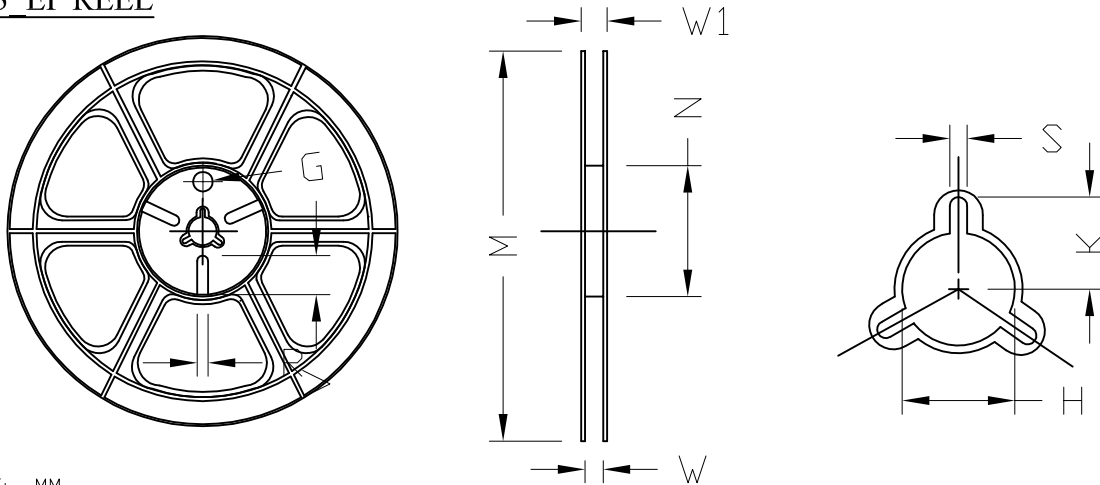


UNIT: MM

FEEDING DIRECTION

| PACKAGE | A0 | B0 | K0 | D0 | D1 | E | E1 | E2 | P0 | P1 | P2 | T |
|-----------|---------------|---------------|---------------|---------------------|---------------------|----------------|---------------|---------------|---------------|---------------|---------------|---------------|
| DFN3x3_EP | 3.40 ±0.10 | 3.35 ±0.10 | 1.10 ±0.10 | 1.50 +0.10 -0 | 1.50 +0.10 -0 | 12.00 ±0.30 | 1.75 ±0.10 | 5.50 ±0.05 | 8.00 ±0.10 | 4.00 ±0.10 | 2.00 ±0.05 | 0.30 ±0.05 |

DFN3x3 EP REEL



UNIT: MM

| TAPE SIZE | REEL SIZE | M | N | W | W1 | H | K | S | G | R | V |
|-----------|-----------|------------------|-----------------|----------------|----------------|--------------------------|-------|---------------|-----|-----|-----|
| 12 mm | ∅330 | ∅330.00 ±0.50 | ∅97.00 ±0.10 | 13.00 ±0.30 | 17.40 ±1.00 | ∅13.00 +0.50 -0.20 | 10.60 | 2.00 ±0.50 | --- | --- | --- |

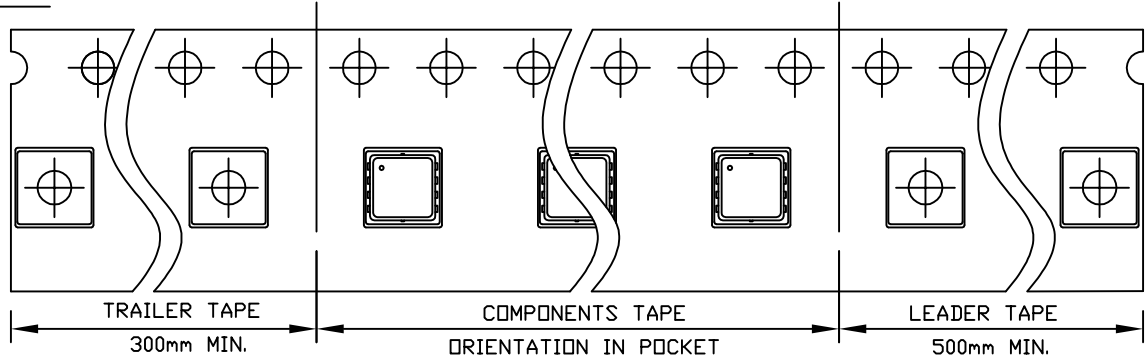


DFN3x3 EP TAPE

Leader / Trailer
& Orientation

MOS

Unit Per Reel:
5000pcs



PIC

Unit Per Reel:
5000pcs

