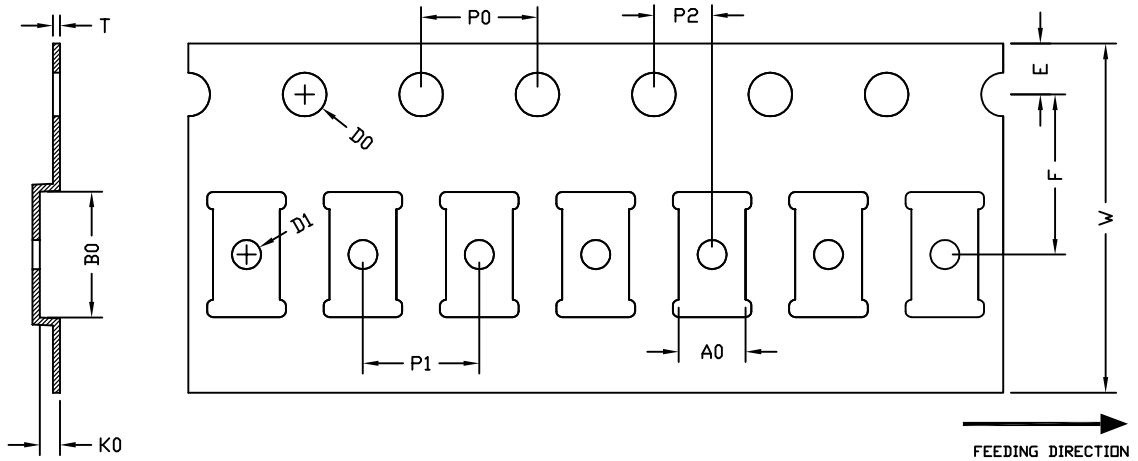




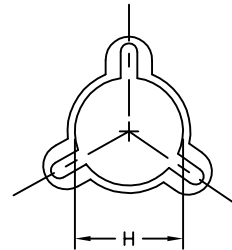
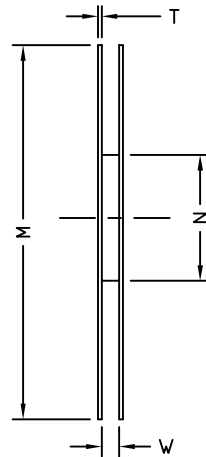
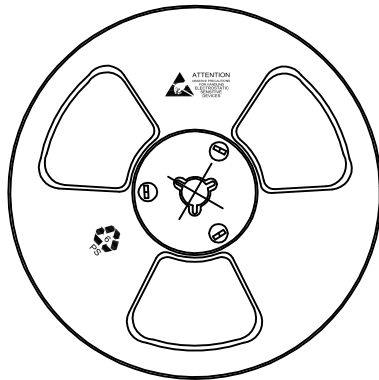
DFN4.1x2.0 10L EP1 S Carrier Tape



UNIT: MM

PACKAGE	A0	B0	K0	D0	D1	W	E	F	P0	P1	P2	T
DFN4.1x2.0	2.30 ±0.05	4.30 ±0.05	0.70 ±0.05	1.50 +0.1 -0.0	1.00 Min.	12.00 +0.30 -0.10	1.75 ±0.10	5.50 ±0.05	4.00 ±0.10	4.00 ±0.10	2.00 ±0.05	0.25 ±0.03

DFN4.1x2.0 10L EP1 S Reel



UNIT: MM

TAPE SIZE	REEL SIZE	M	N	W	T	H	K	S	G	R	V
12 mm	ø329	ø329.00 ±1.00	ø100.00 ±1.00	12.80 ±1.00	2.00 ±0.30	ø13.30 ±0.30	---	---	---	---	---

DFN4.1x2.0 10L EP1 S Package Tape

Leader / Trailer
& Orientation

Unit Per Reel:
6000pcs

