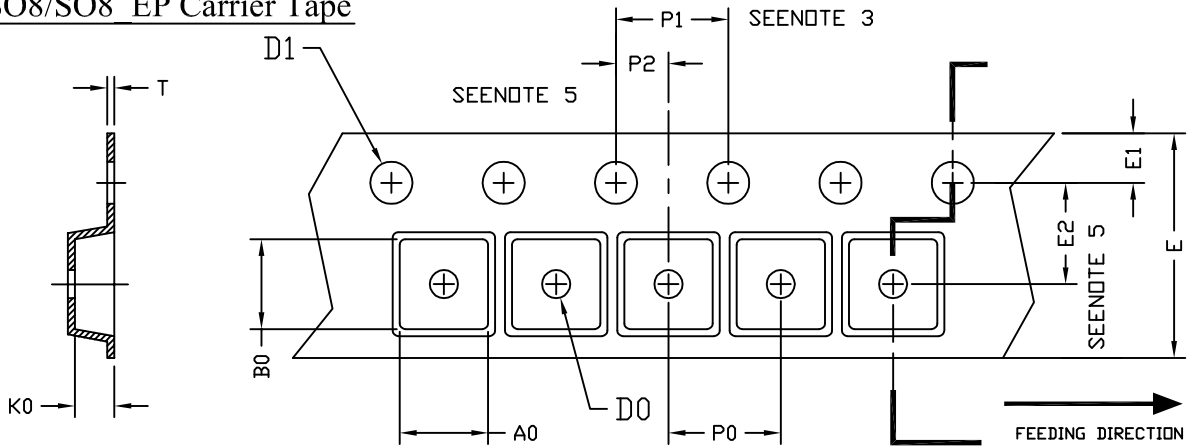


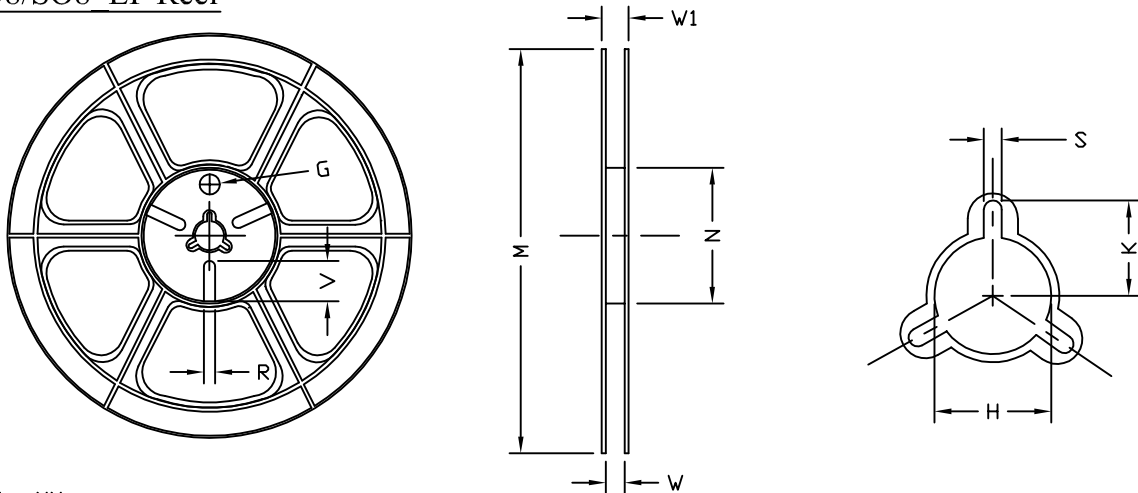
## SO7/SO8/SO8 EP Carrier Tape



UNIT: MM

| PACKAGE             | A0                 | B0                 | K0                 | D0                 | D1              | E                   | E1                 | E2                 | P0                 | P1                 | P2                 | T                  |
|---------------------|--------------------|--------------------|--------------------|--------------------|-----------------|---------------------|--------------------|--------------------|--------------------|--------------------|--------------------|--------------------|
| SO7/SO-8<br>(12 mm) | 6.40<br>$\pm 0.10$ | 5.20<br>$\pm 0.10$ | 2.10<br>$\pm 0.10$ | 1.60<br>$\pm 0.10$ | 1.50<br>$+0.10$ | 12.00<br>$\pm 0.30$ | 1.75<br>$\pm 0.10$ | 5.50<br>$\pm 0.05$ | 8.00<br>$\pm 0.10$ | 4.00<br>$\pm 0.10$ | 2.00<br>$\pm 0.05$ | 0.25<br>$\pm 0.05$ |

## SO7/SO8/SO8 EP Reel



UNIT: MM

| TAPE SIZE | REEL SIZE  | M                           | N                          | W                   | W1                  | H                                  | K     | S                  | G   | R   | V   |
|-----------|------------|-----------------------------|----------------------------|---------------------|---------------------|------------------------------------|-------|--------------------|-----|-----|-----|
| 12 mm     | $\phi 330$ | $\phi 330.00$<br>$\pm 0.50$ | $\phi 97.00$<br>$\pm 0.10$ | 13.00<br>$\pm 0.30$ | 17.40<br>$\pm 1.00$ | $\phi 13.00$<br>$+0.50$<br>$-0.20$ | 10.60 | 2.00<br>$\pm 0.50$ | --- | --- | --- |

## SO7/SO8/SO8 EP Tape

Leader / Trailer  
& Orientation

Unit Per Reel:  
3000pcs

