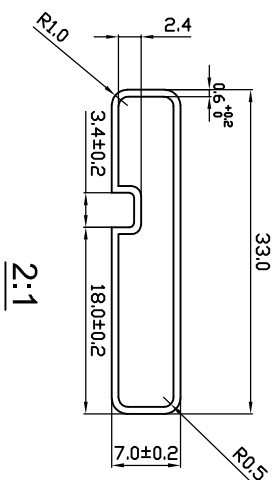
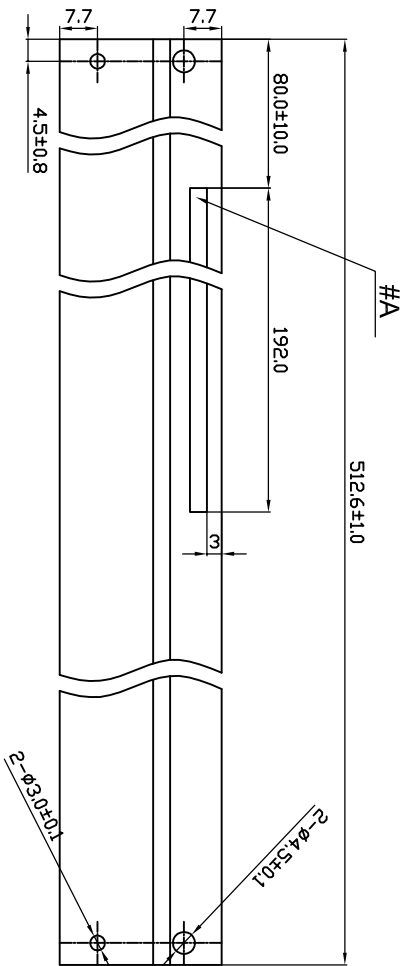


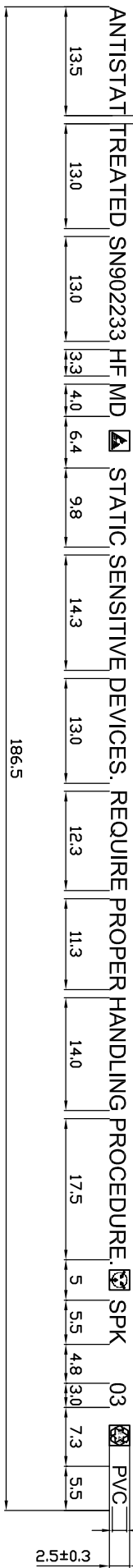


TO220/TO262 PLASTIC TUBE DRAWING

| REV. | DATE | DESCRIPTION | DRG. |
|------|------|-------------|------|
| A    |      | NEW ISSUE   |      |
|      |      |             |      |
|      |      |             |      |



#A MARKING LAY-OUT (TOLS. ±2.0)



(NOTE)

1. TUBE

- MATERIAL : P.V.C
- COLOR : TRANSPARENCY, RED, YELLOW
- MARKING #A : 6 MONTHS, BLACK COLOR
- LETTER STYLE : Arial
- CAMBAR : 1.5 MAX

3. ALL UNSPECIFICATED SPECIFICATIONS

- FOLLOW TUBE GENERAL SPEC.
- UNSPECIFICATED TOLERANCE ±0.2

4. PACKING Q'TY :

2. PIN

- COLOR : GREEN (ONE PIN MUST BE INSERTED IN LEFT-SIDE OF " ANTISTATIC~" AND ANOTHER PIN IS FREE.)

2:1

2:1

| PKG             | Q'TY(PCS) |
|-----------------|-----------|
| TO220/<br>TO262 | 50        |

| DRAWN BY  | SIGNATURE                                    | UNIT                      | PAGE         | 1 OF 1 |
|---|--|---------------------------|--------------|--------|
| APPROVED BY <td>SIGNATURE <td>MM <td>N <td>B</td> </td></td></td> | SIGNATURE <td>MM <td>N <td>B</td> </td></td> | MM <td>N <td>B</td> </td> | N <td>B</td> | B      |



ALPHA & OMEGA  
SEMICONDUCTOR

TO220/TO262 TUBE DRAWING

| SCALE  | PROJECTION | DRAWING NUMBER | VENDOR CODE | REV. |
|--------|------------|----------------|-------------|------|
| N.T.S. |            | TR-00060       | N           | B    |