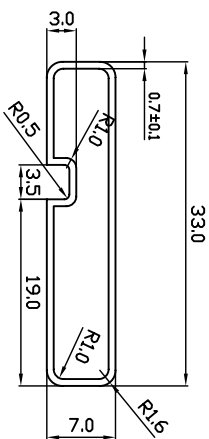
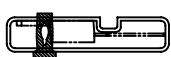
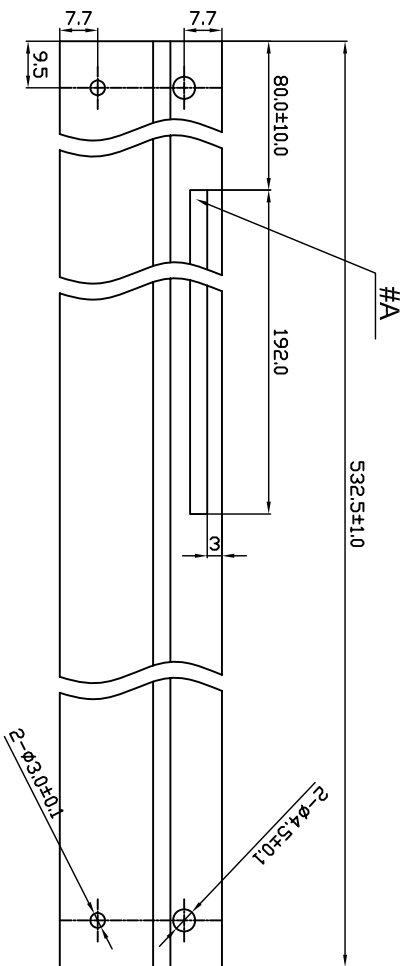


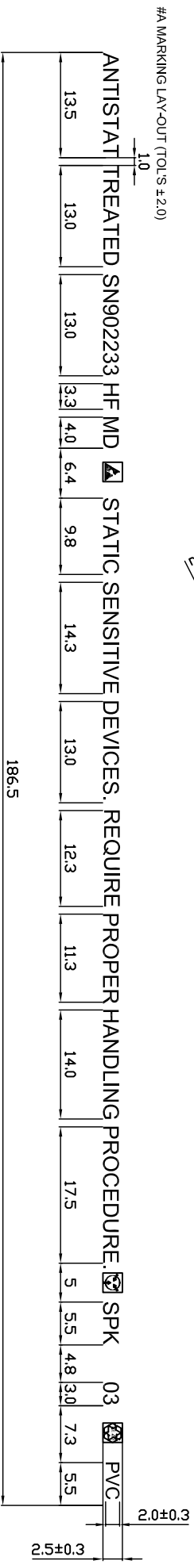


TO220F / TO220FL PLASTIC TUBE DRAWING

REV.	DATE	DESCRIPTION	DRG.
A		NEW ISSUE	



2:1



2:1

(NOTE)

1. TUBE
 - MATERIAL : P.V.C
 - COLOR : TRANSPARENCY, RED, YELLOW
 - MARKING #A : 6 MONTHS, BLACK COLOR
 - LETTER STYLE : Arial
2. PIN
 - MATERIAL: NYLON
 - COLOR : GREEN (ONE PIN MUST BE INSERTED IN LEFT-SIDE OF " ANTISTATIC~" AND ANOTHER PIN IS FREE.)
3. ALL UNSPECIFICATED SPECIFICATIONS FOLLOW TUBE GENERAL SPEC. UNSPECIFICATED TOLERANCE ±0.2
4. PACKING Q'TY :

PKG	Q'TY(PCS)
TO220F/ TO220FL	50

DRAWN BY		SIGNATURE		TITLE	
				TO220F / TO220FL TUBE DRAWING	
APPROVED BY		SIGNATURE		UNIT	PAGE
				NM	1 OF 1
SCALE	PROJECTION	DRAWING NUMBER	VENDOR CODE	REV.	
N.T.S.		TR-00061	N	A	