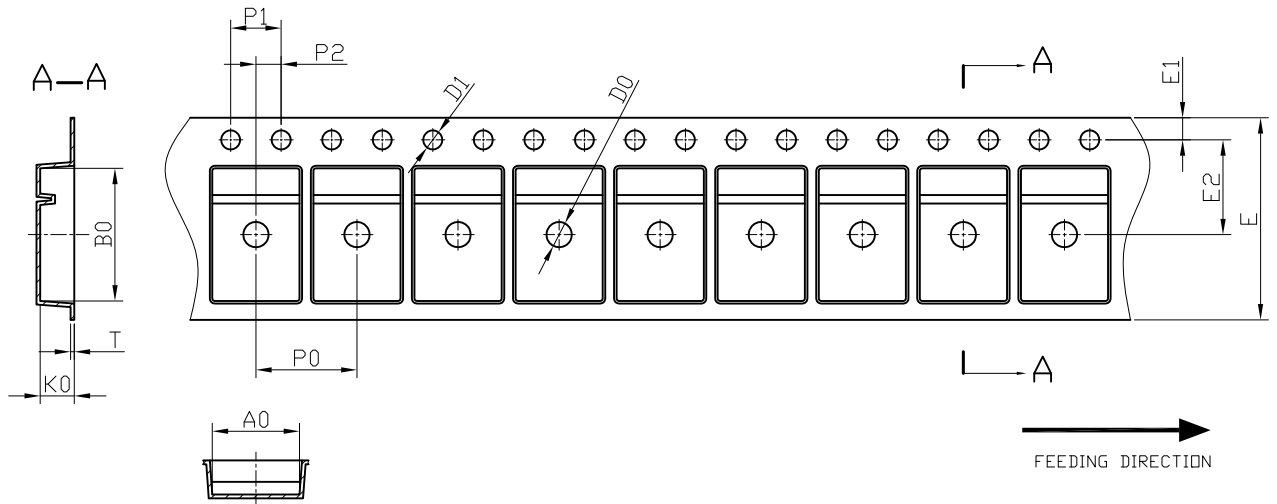




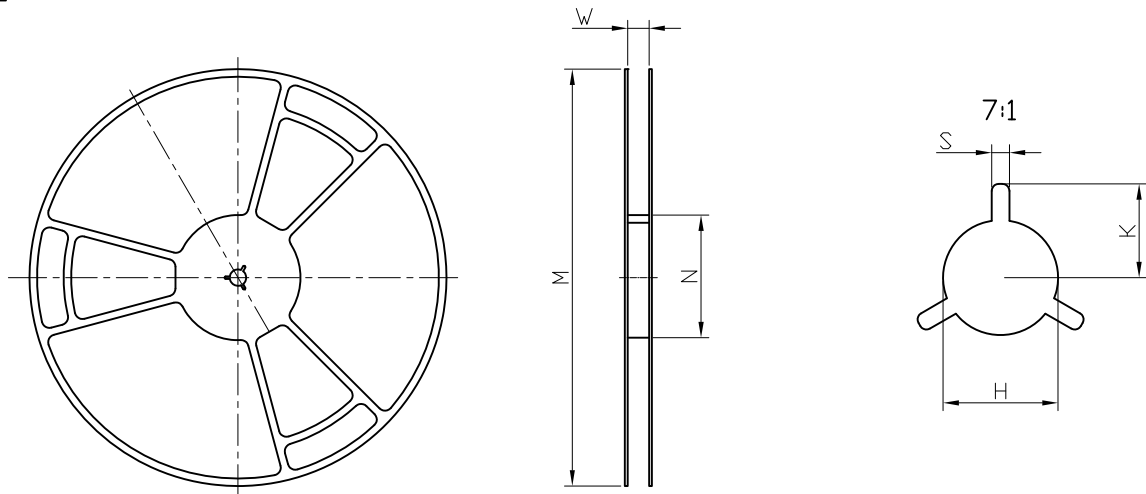
TO-252-4L
Carrier Tape



UNIT: MM

PACKAGE	A0	B0	K0	D0	D1	E	E1	E2	P0	P1	P2	T
TO-252-4L (16 mm)	6.90 ±0.10	10.50 ±0.10	2.70 ±0.10	2.00 ±0.25	1.50 +0.1 -0	16.00 ±0.30	1.75 ±0.10	7.50 ±0.10	8.00 ±0.10	4.00 ±0.10	2.00 ±0.10	0.30 ±0.05

TO-252-4L
Reel



UNIT: MM

TAPE SIZE	REEL SIZE	M	N	W	H	K	S
16 mm	ø330	ø330.00 ±0.5	ø97.00 ±1.0	17.0 +1.5 -0	ø13.00 +0.50 -0.20	10.6 ±0.25	2.0 ±0.5

TO-252-4L Tape

Leader / Trailer
& Orientation

Unit Per Reel:
2500pcs

