



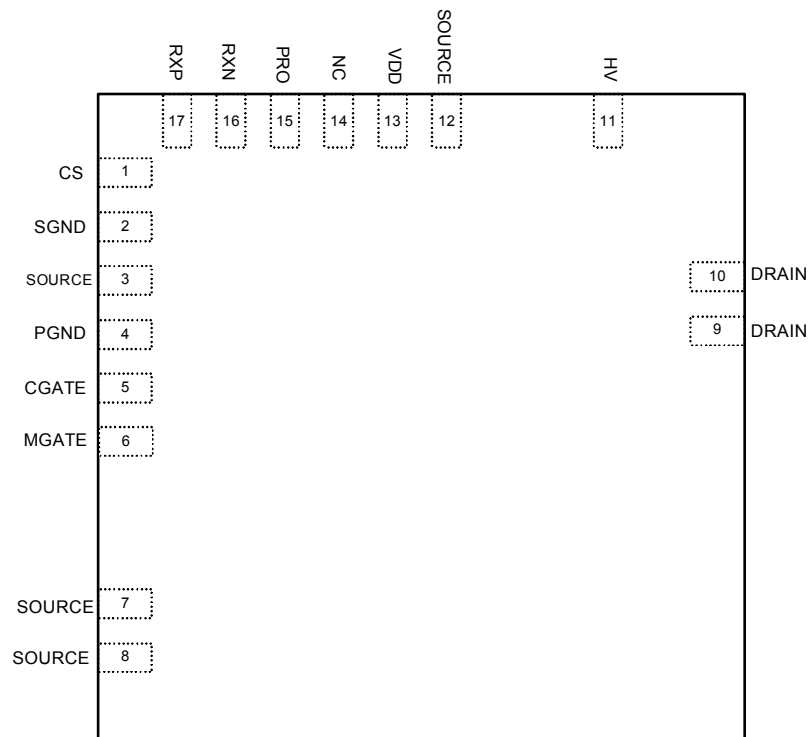
### Ordering Information

Part Number	Ambient Temperature Range	Package	Environmental
AOZ7655QI-13	-40°C to +125°C	QFN 6x6A-17L	Green Product



AOS Green Products use reduced levels of Halogens, and are also RoHS compliant.

### Pin Configuration



**17-Pin 6mm x 6mm QFN**  
(Top View)

### Pin Description

Pin Number	Pin Name	Pin Function
1	CS	Current sense input pin.
2	SGND	Signal GND
3,7,8,12	SOURCE	Source of the MOSFET.
4	PGND	Power GND.
5	CGATE	The gate pin of controller.
6	MGATE	The gate pin of the integrated MOSFET
9,10	DRAIN	Drain of the integrated MOSFET.
11	HV	High voltage start-up current source.
13	VDD	The VDD is the bias-supply input pin to the controller.
14	NC	No connection.
15	PRO	Protection pin.
16	RXN	ON time information receiver pin.
17	RXP	ON time information receiver pin.

## Absolute Maximum Ratings

Exceeding the Absolute Maximum Ratings may damage the device.

Parameter	Rating
V <sub>HV</sub>	-0.3V to 500V
V <sub>DRAIN</sub>	-0.7V to 700V
V <sub>DD</sub> , V <sub>CGATE</sub>	-0.3V to 40V
V <sub>CS</sub> , V <sub>RXP</sub> , V <sub>RXN</sub> , V <sub>PRO</sub>	-0.3V to 7V
V <sub>MGATE</sub>	-0.3V to 20V
Junction Temperature (T <sub>J</sub> )	+150°C
Storage Temperature (T <sub>S</sub> )	-65°C to +150°C
ESD HBM <sup>(1)</sup>	4kV
ESD CDM <sup>(1)</sup>	1kV

### Notes:

1. Devices are inherently ESD sensitive, handling precautions are required. Human body model rating: 1.5kΩ in series with 100pF.
2. 1x1inch, 2-layer PCB, follow JEDEC standard.

## Recommended Operating Conditions

The device is not guaranteed to operate beyond the Maximum Recommended Operating Conditions.

Parameter	Rating
Supply Voltage (V <sub>DD</sub> )	8V to 33V
Ambient Temperature (T <sub>A</sub> )	-40°C to +125°C
Package Thermal Resistance	25°C/W <sup>(2)</sup>

## Electrical Characteristics

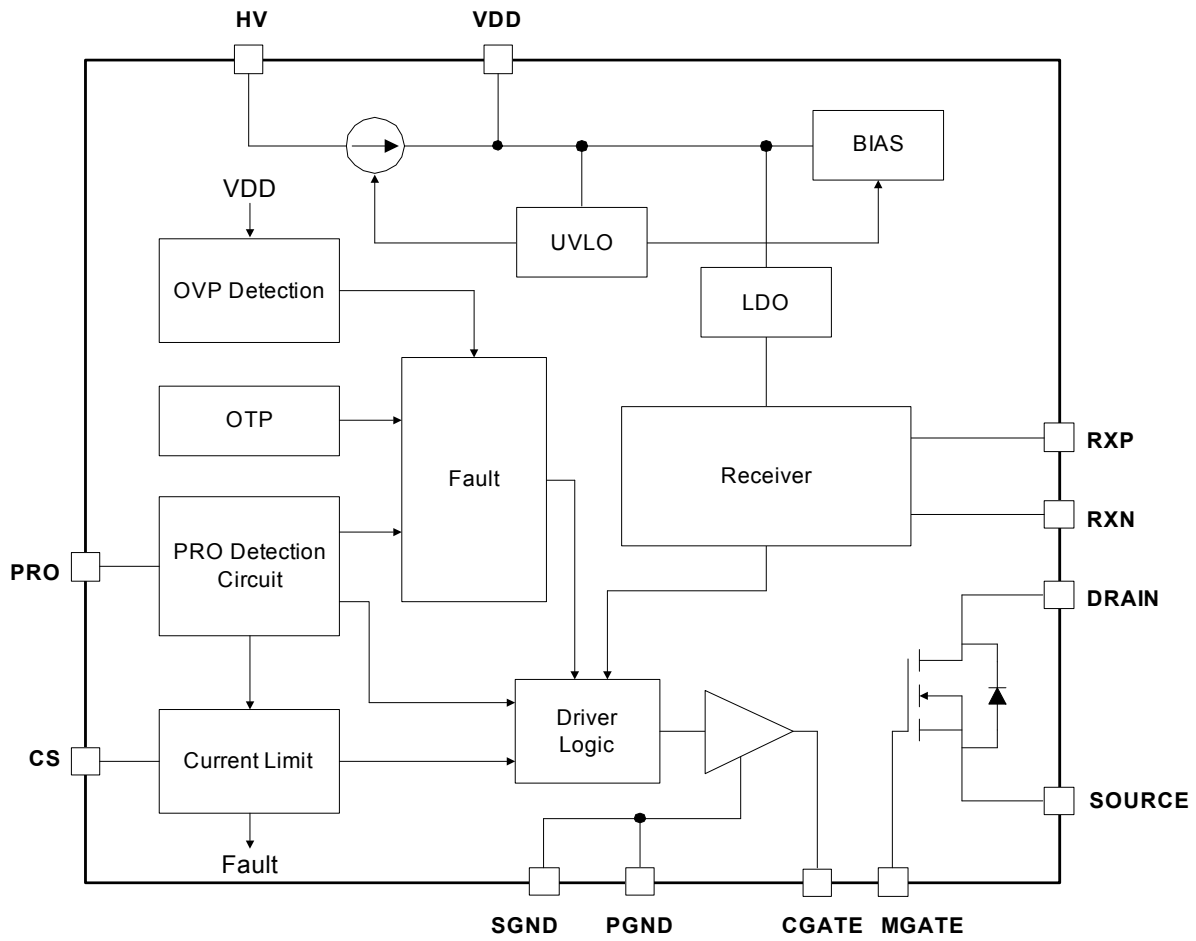
V<sub>DD</sub>=15V, T<sub>A</sub> = -25°C to 85°C, unless otherwise specified.

Symbol	Parameter	Conditions	Min	Typ	Max	Units
<b>MOSFET</b>						
R <sub>DS(ON)</sub>	ON State Resistance	Static, I <sub>DRAIN</sub> = 1A, V <sub>DD</sub> = 10V, T <sub>J</sub> = 25°C		0.33	0.4	Ω
<b>HV</b>						
I <sub>HV</sub>	Supply Current from HV Pin	V <sub>HV</sub> = 100V, V <sub>DD</sub> = 0V, converter OFF		3.2	4.6	mA
I <sub>HV_LC</sub>	Leakage Current from HV Pin	V <sub>HV</sub> = 500V, V <sub>DD</sub> = 18V, converter ON		0.8		μA
<b>VDD</b>						
V <sub>DD_OVP</sub>	VDD Over-Voltage Protection Level		34	36	38.2	V
t <sub>D_OVP</sub>	VDD Over-Voltage Protection Debounce Time <sup>(1)</sup>			20		μs
V <sub>DD_ON</sub>	Turn-ON Threshold Voltage		14.0	15.5	17.0	V
V <sub>DD_UVLO</sub>	Turn-OFF and Under Voltage Lock Out		6.2	6.7	7.2	V
I <sub>DD_OP</sub>	Operation Current	V <sub>DD</sub> = 15V, converter ON, f <sub>S</sub> = 80kHz	0.6	1.2	1.8	mA
I <sub>DD_SKIP</sub>	Skip Mode Operation Current	V <sub>DD</sub> = 7V		500	550	μA
I <sub>DD_DIS</sub>	Disable Mode Operation Current	V <sub>DD</sub> = 15V, V <sub>DD_OVP</sub> is enabled or no GATE output		70	100	μA
<b>Frequency</b>						
f <sub>OSC</sub>	Start-up Operation Frequency	V <sub>PRO</sub> = 1V		100		kHz
f <sub>OSC1</sub>		V <sub>PRO</sub> = 0.5V		50		kHz
<b>Protection Function</b>						
V <sub>PRO_MIN</sub>	Min. Clamp Voltage	I <sub>PRO</sub> = -0.1mA	0.15	0.2	0.25	V
V <sub>DISH</sub>	Disable Voltage Level (High)		1.4	1.5	1.6	V
t <sub>DISHBN</sub>	Blanking Time		0.6	0.8	1	μs
t <sub>DISHDB</sub>	V <sub>DISH</sub> Debounce Cycles			4		Cycles

**Electrical Characteristics (Continued)**
 $V_{DD}=15V$ ,  $T_A = -25^{\circ}C$  to  $85^{\circ}C$ , unless otherwise specified.

Symbol	Parameter	Conditions	Min	Typ	Max	Units
<b>Gate Drive</b>						
$V_{G\_CLAMP}$	GATE Clamping Voltage	$V_{DD} = 15V$		12		V
$t_{LEB}$	Leading Edge Blanking Time		300	350	400	ns
$t_{PD}$	Propagation Delay Time			50	100	ns
<b>Soft-start</b>						
$t_{SS\_OFF}$	Soft-Start Time for Shut Down			18	24	ms
$t_{SS\_CS}$	Soft-Start Time for Current Limit		5	7	9	ms
<b>Current LIMIT</b>						
$V_{CSL}$	General Continuous Operation Limited Current Sense Level	$I_{PRO} = 120\mu A$	285	300	315	mV
$V_{CSH}$	Fast Over Current Protection Limit			0.75		V
$t_{OCPH}$	Fast OCP for Auto Restart	$V_{CS} > 750mV$ and happening continuous		4		Cycles
<b>Receiver</b>						
$t_{RD}$	Delay Time for RX Rising Signal to GATE ON				100	ns
$t_{FD}$	Delay Time for RX Falling Signal to GATE OFF				100	ns
<b>Over Temperature Protection</b>						
$T_{SD}$	Thermal Shutdown	$T_J$ Rising		145		$^{\circ}C$
$T_{SDR}$	Thermal Shutdown Recovery Threshold	$T_J$ Falling		125		$^{\circ}C$

### Functional Block Diagram



## Typical Characteristics

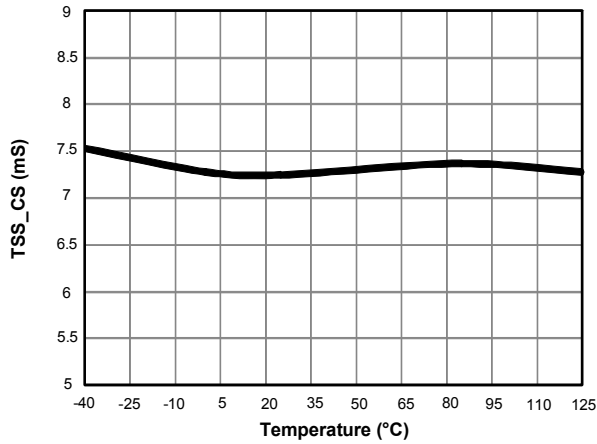


Figure 1. Soft Start Time for Current Limit vs. Temperature

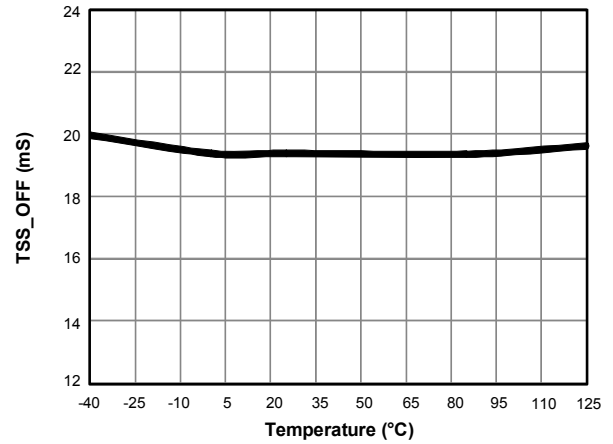


Figure 2. Soft Start Time for Shut Down vs. Temperature

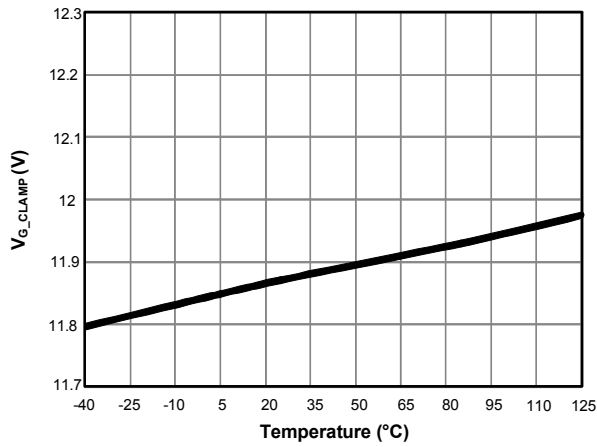


Figure 3. Gate Clamping Voltage vs. Temperature

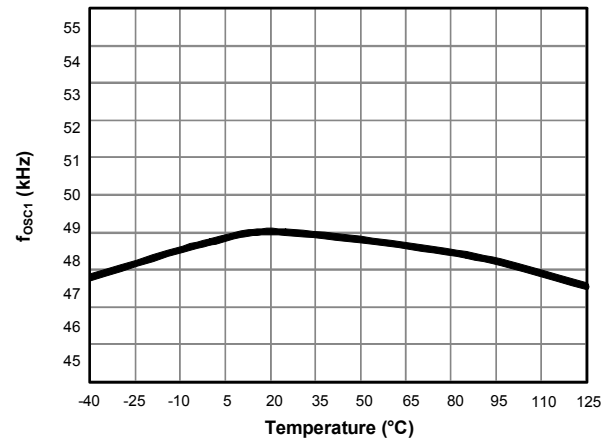


Figure 4. Minimum of the Start-up Operation Frequency vs. Temperature

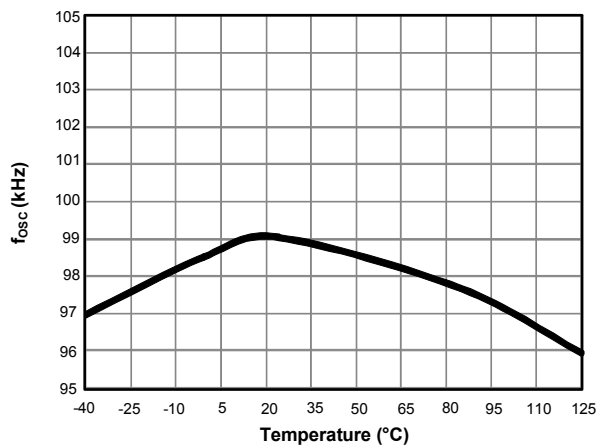


Figure 5. Maximum of the Start-up Operation Frequency vs. Temperature

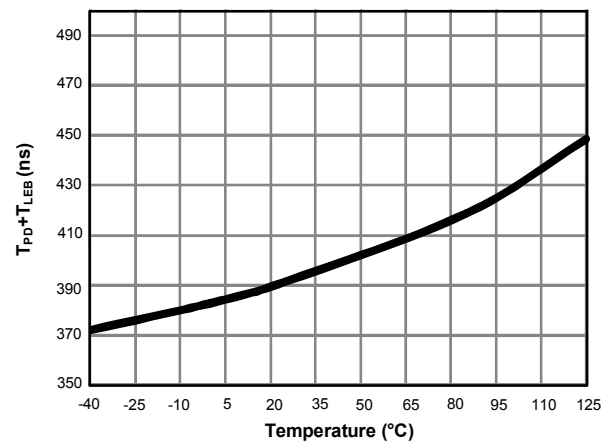


Figure 6. Minimum of the Turn-on Period vs. Temperature

## Typical Characteristics

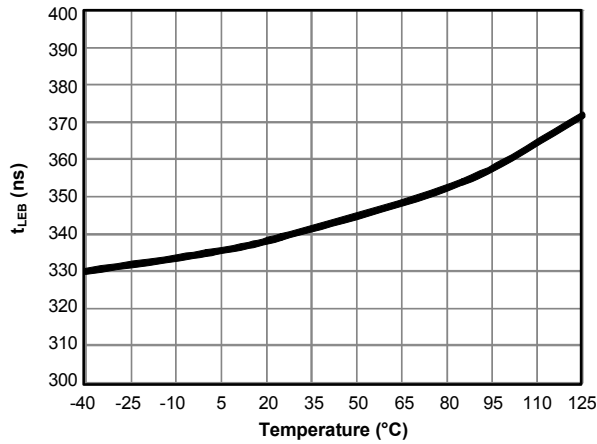


Figure 7. Leading Edge Blanking Time vs. Temperature

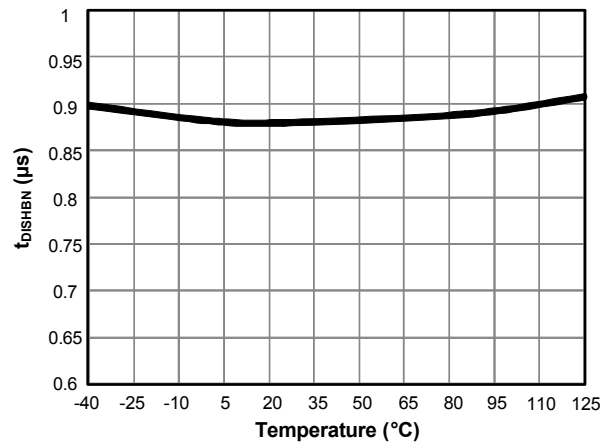


Figure 8. The Blanking Time of the Disable Voltage Level vs. Temperature

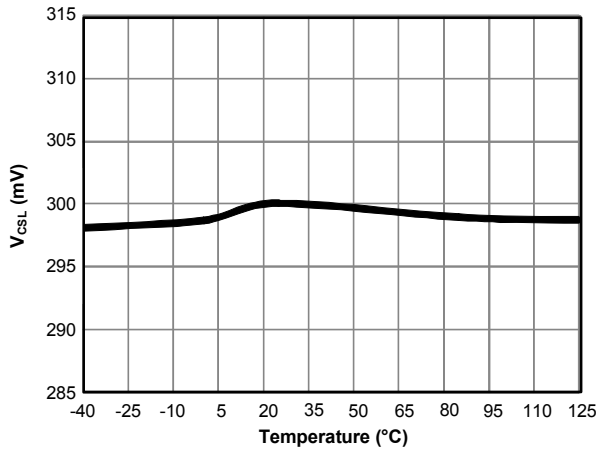


Figure 9. General Continuous Operation Current Sense Limit vs. Temperature

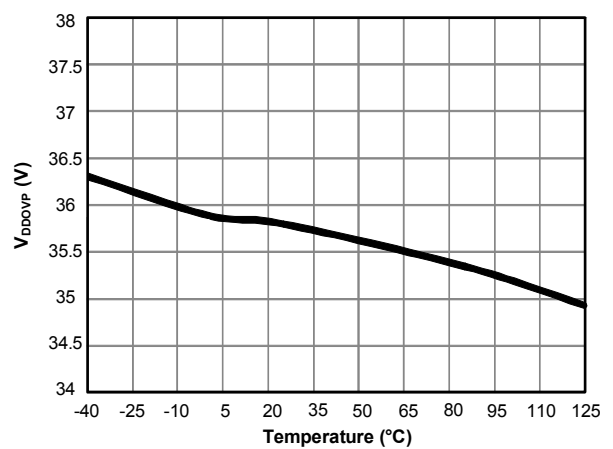


Figure 10. V<sub>DD</sub> Over-Voltage Protection Level vs. Temperature

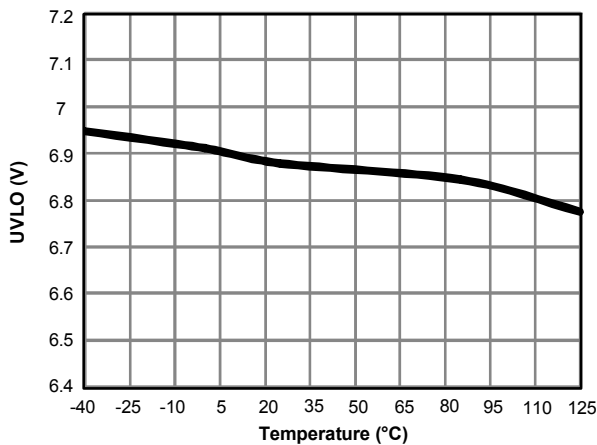


Figure 11. Turn-OFF and Under Voltage Lock Out vs. Temperature

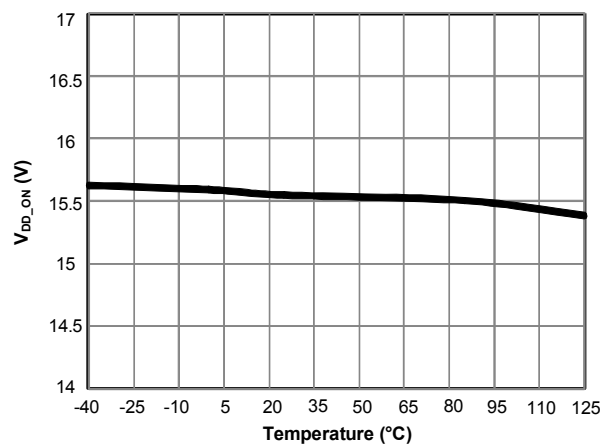


Figure 12. Turn-ON Threshold Voltage vs. Temperature

## Detailed Description

### HV Start-Up

There is a high-voltage (HV) device which is designed as a current source to charge the VDD capacitor during start-up. This current source will be turned off for reducing the power consumption after the AOZ7655QI-13 is powered on. The HV pin should be connected to the input terminals through the rectifier diodes and a series resistor, the series resistor is recommended to be 10kΩ.

### Soft Start

The AOZ7655QI-13 has an internal soft start feature to limit inrush current and ensure the output voltage ramps up smoothly to the regulation voltage. If the AOZ7655QI-13 never receives the ON time information from the secondary side converter, the AOZ7655QI-13 will be shut down after 18ms ( $t_{SS\_OFF}$ ) from start-up.

### ON Time Receiver

The AOZ7655QI-13 receives the ON time information from the secondary side converter through the RXP and RXN pins and send the ON time signal to the driver. The ON time width of the switching pulse varies according to the ON time signal.

### VDD Over-Voltage Protection

The output voltage can be sensed roughly from the VDD pin. When the VDD voltage exceeds the VDD OVP level ( $V_{DD\_OVP}$ ), the converter will be shut down after the VDD OVP debounce time ( $t_{D\_OVP}$ ) and then return to the start state.

### PRO Protection

The output voltage can be sensed indirectly by monitoring the auxiliary winding voltage. When the PRO voltage during turn-off period exceeds the PRO disable voltage level ( $V_{DISH}$ ), the converter will be shut down after the  $V_{DISH}$  debounce cycles ( $t_{DISHDB}$ ) and then return to the start state.

### Cycle-by-Cycle Current Limit

The AOZ7655QI-13 detects the primary current through CS pin, and the CS peak voltage of each switching cycle is limited to  $V_{CSL}$ . The voltage across the current-sensing resistor  $R_{CS}$  is fed into the CS pin for current limit detection.

When the fault occurs due to transformer short circuit or secondary rectifier short circuit, and the large current will flow through the main MOSFET at turn-on period, and this will cause damage on power components. In order to protect the system, Fast over current protection function is added. If the CS voltage reaches  $V_{CSH}$ , the converter will be shut down after four consecutive cycles and then return to the start state.

### CS Pin Open-Circuit Protection

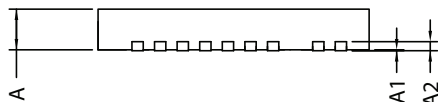
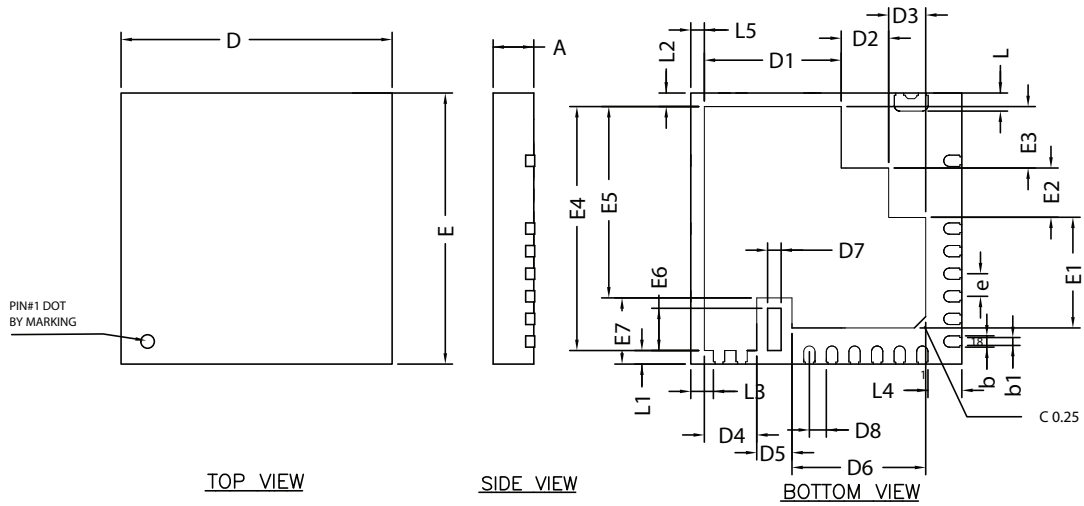
The CS pin features open-loop protection to pass the CS pin single fault testing. When the CS pin is opened, the CS will be pulled high by internal circuit and CS pin voltage will higher than  $V_{CSH}$  and the converter will be shut down after four consecutive cycles and then return to the start state.

### Over-Temperature Protection

The AOZ7655QI-13 provides an internal OTP protection function. If the junction temperature reaches the OTP threshold, the AOZ7655QI-13 will stop switching until the junction temperature decreases below the OTP recovery temperature.

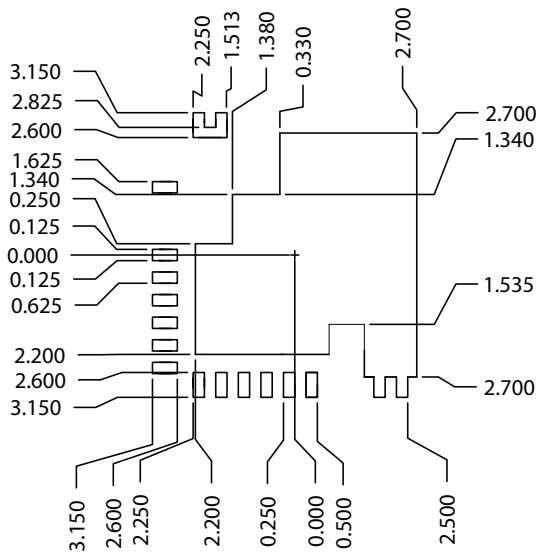


Package Dimensions, QFN6x6A-17L, EP1\_S



SIDE VIEW

RECOMMENDED LAND PATTERN



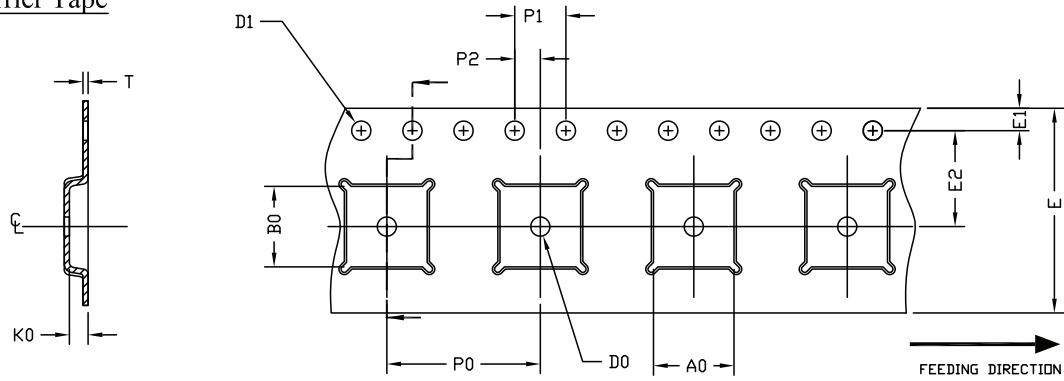
UNIT: mm

NOTE  
CONTROLLING DIMENSION IS MILLIMETER.  
CONVERTED INCH DIMENSIONS ARE NOT NECESSARILY EXACT.

SYMBOLS	DIMENSION IN MM			DIMENSION IN INCHES		
	MIN	NOM	MAX	MIN	NOM	MAX
A	0.80	0.90	1.00	0.031	0.035	0.039
A1	0.00	-	0.05	0.000	-	0.002
A2	0.2REF			0.008REF		
E	5.90	6.00	6.10	0.232	0.236	0.240
D	5.90	6.00	6.10	0.232	0.236	0.240
D1	2.93	3.03	3.13	0.115	0.119	0.123
D2	0.95	1.05	1.15	0.037	0.041	0.045
D3	0.72	0.82	0.92	0.028	0.032	0.036
D4	1.06	1.16	1.26	0.042	0.046	0.050
D5	0.68	0.78	0.88	0.027	0.031	0.035
D6	2.86	2.96	3.06	0.113	0.117	0.120
D7	0.20	0.30	0.40	0.008	0.012	0.016
D8	0.28	0.38	0.48	0.011	0.015	0.019
E1	2.35	2.45	2.55	0.093	0.096	0.100
E2	0.99	1.09	1.19	0.039	0.043	0.047
E3	1.26	1.36	1.46	0.050	0.054	0.057
E4	5.30	5.40	5.50	0.209	0.213	0.217
E5	4.14	4.24	4.34	0.163	0.167	0.171
E6	0.84	0.94	1.04	0.033	0.037	0.041
E7	1.37	1.47	1.57	0.054	0.058	0.062
L	0.30	0.40	0.50	0.012	0.016	0.020
L1	0.20	0.30	0.40	0.008	0.012	0.016
L2	0.20	0.30	0.40	0.008	0.012	0.016
L3	0.40	0.50	0.60	0.016	0.020	0.024
L4	0.65	0.75	0.85	0.026	0.030	0.033
L5	0.20	0.30	0.40	0.008	0.012	0.016
b	0.20	0.25	0.30	0.008	0.010	0.012
b1	0.17	0.18	0.19	0.006	0.007	0.007
e	0.50BSC			0.02BSC		

### Tape and Reel, QFN6x6A-17L, EP1\_S

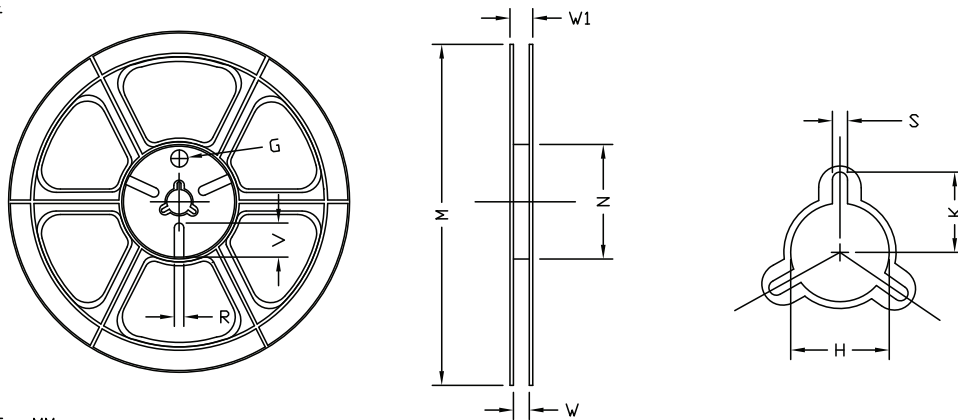
#### Carrier Tape



UNIT: MM

PACKAGE	A0	B0	K0	D0	D1	E	E1	E2	P0	P1	P2	T
QFN6x6 (16 mm)	6.30 ±0.20	6.30 ±0.20	1.10 ±0.20	1.50 MIN.	1.50 <sup>+0.1</sup> <sub>-0.0</sub>	16.0 ±0.3	1.75 ±0.10	7.5 ±0.1	12.00 ±0.20	4.00 ±0.20	2.00 ±0.10	0.30 ±0.05

#### Reel

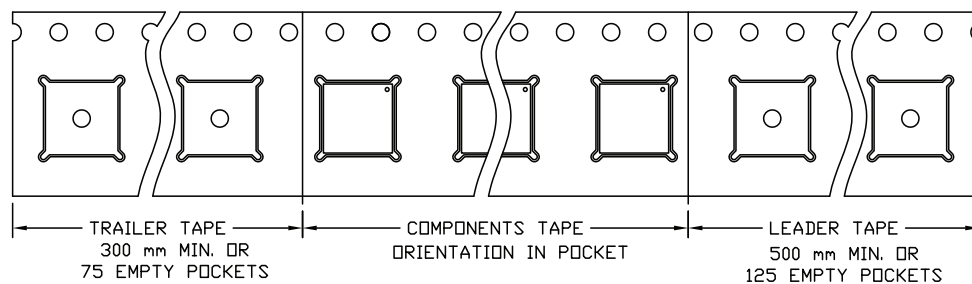


UNIT: MM

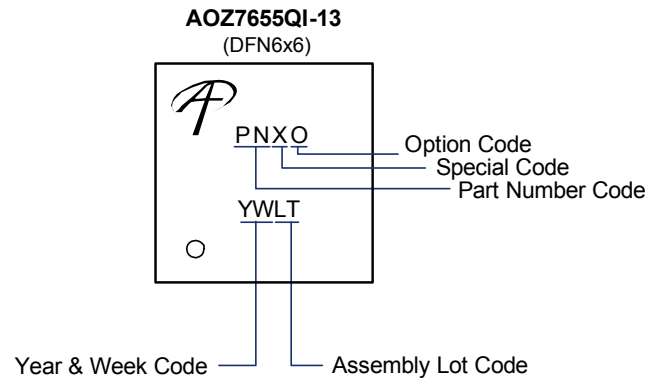
TAPE SIZE	REEL SIZE	M	N	W	W1	H	K	S	G	R	V
16 mm	ø330	ø330 MAX.	ø100 MIN.	16.4 <sup>+2.0</sup> <sub>-0.0</sub>	22.4 MAX.	ø13.0 <sup>+0.5</sup> <sub>-0.2</sub>	10.1 MIN.	1.5 MIN.	---	---	---

#### Tape

Leader / Trailer  
& Orientation



**Part Marking**



Part No.	Description	Code
AOZ7655QI	Green Product	BC0D

**LEGAL DISCLAIMER**

Alpha and Omega Semiconductor makes no representations or warranties with respect to the accuracy or completeness of the information provided herein and takes no liabilities for the consequences of use of such information or any product described herein. Alpha and Omega Semiconductor reserves the right to make changes to such information at any time without further notice. This document does not constitute the grant of any intellectual property rights or representation of non-infringement of any third party’s intellectual property rights.

**LIFE SUPPORT POLICY**

ALPHA AND OMEGA SEMICONDUCTOR PRODUCTS ARE NOT AUTHORIZED FOR USE AS CRITICAL COMPONENTS IN LIFE SUPPORT DEVICES OR SYSTEMS.

As used herein:

1. Life support devices or systems are devices or systems which, (a) are intended for surgical implant into the body or (b) support or sustain life, and (c) whose failure to perform when properly used in accordance with instructions for use provided in the labeling, can be reasonably expected to result in a significant injury of the user.
2. A critical component in any component of a life support, device, or system whose failure to perform can be reasonably expected to cause the failure of the life support device or system, or to affect its safety or effectiveness.