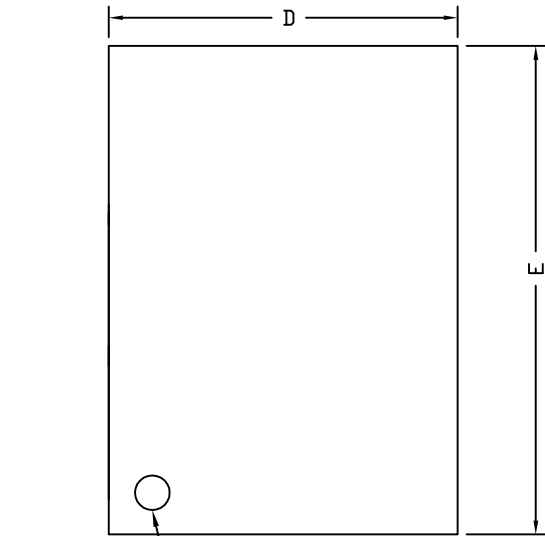
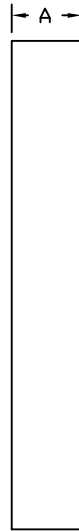




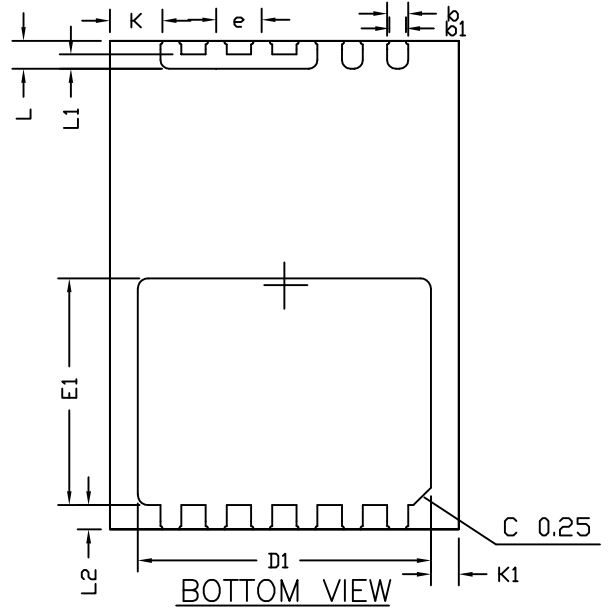
DFN5x7_12L_EP1_S PACKAGE OUTLINE



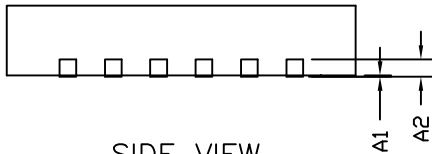
TOP VIEW



SIDE VIEW

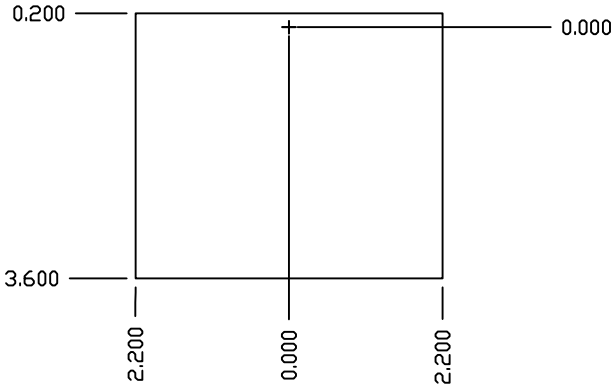
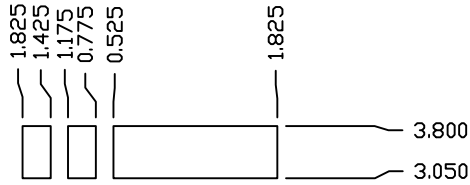


BOTTOM VIEW



SIDE VIEW

RECOMMENDED LAND PATTERN



UNIT: mm

SYMBOLS	DIMENSION IN MM			DIMENSION IN INCHES		
	MIN	NOM	MAX	MIN	NOM	MAX
A	0.90	1.00	1.10	0.035	0.039	0.043
A1	0.00	-	0.05	0.000	-	0.002
A2	0.25REF			0.010REF		
E	6.95	7.00	7.05	0.274	0.276	0.278
E1	3.20	3.25	3.30	0.126	0.128	0.130
D	4.90	5.00	5.10	0.193	0.197	0.201
D1	4.15	4.20	4.25	0.163	0.165	0.167
L	0.35	0.40	0.45	0.014	0.016	0.018
L1	0.15	0.20	0.25	0.006	0.008	0.010
L2	0.30	0.35	0.40	0.012	0.014	0.016
K	0.71	0.76	0.81	0.028	0.030	0.032
K1	0.35	0.40	0.45	0.014	0.016	0.018
b	0.25	0.30	0.35	0.010	0.012	0.014
b1	0.19	0.24	0.29	0.007	0.009	0.011
e	0.65BSC			0.025BSC		

NOTE

CONTROLLING DIMENSION IS MILLIMETER.

CONVERTED INCH DIMENSIONS ARE NOT NECESSARILY EXACT.