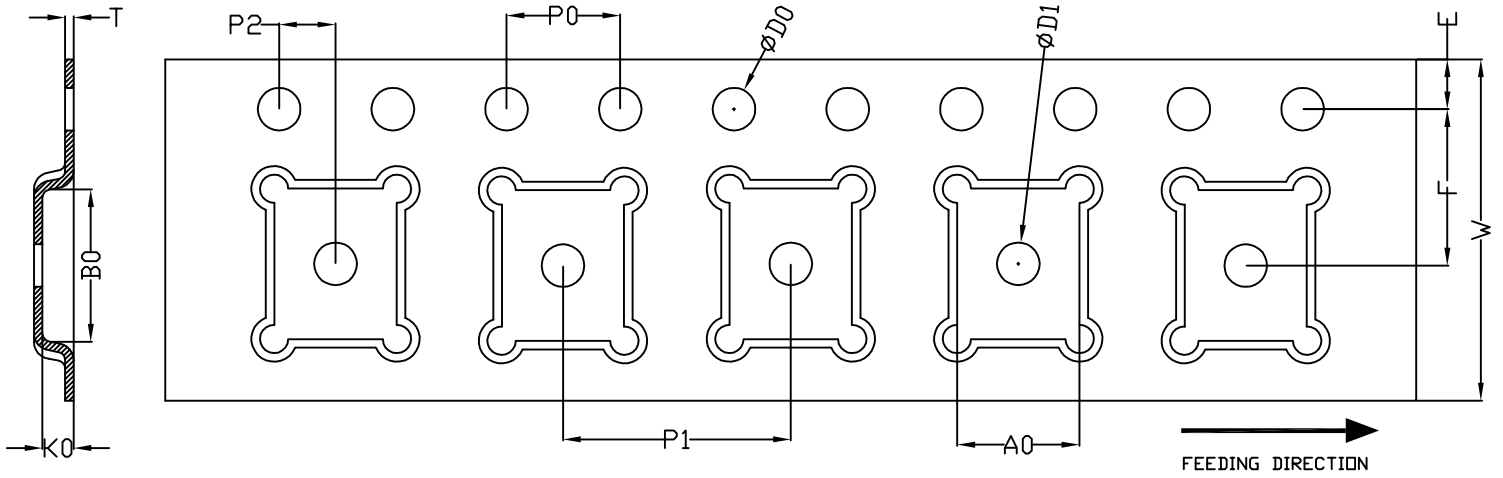




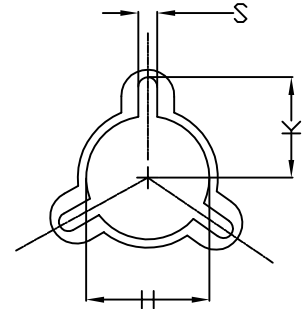
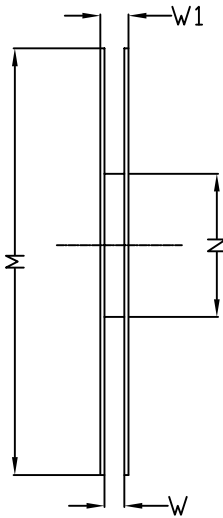
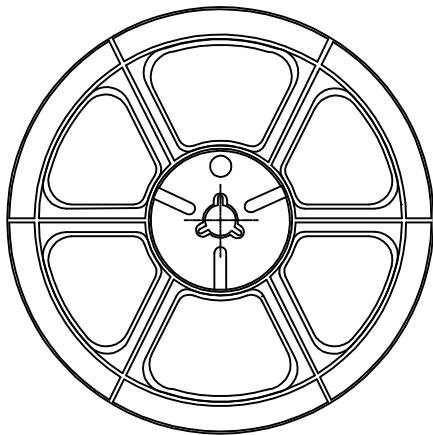
QFN5x4 24L EP3 S Carrier Tape



UNIT: MM

PACKAGE	A0	B0	K0	D0	D1	W	E	F	P0	P1	P2	T
QFN5x4 -0.75	4.30 ±0.10	5.30 ±0.10	1.10 ±0.10	ø1.50 +0.10 -0.00	ø1.50 ±0.10	12.00 ±0.3	1.75 ±0.10	5.50 ±0.05	4.00 ±0.10	8.00 ±0.10	2.00 ±0.05	0.30 ±0.05

QFN5x4 24L EP3 S Reel



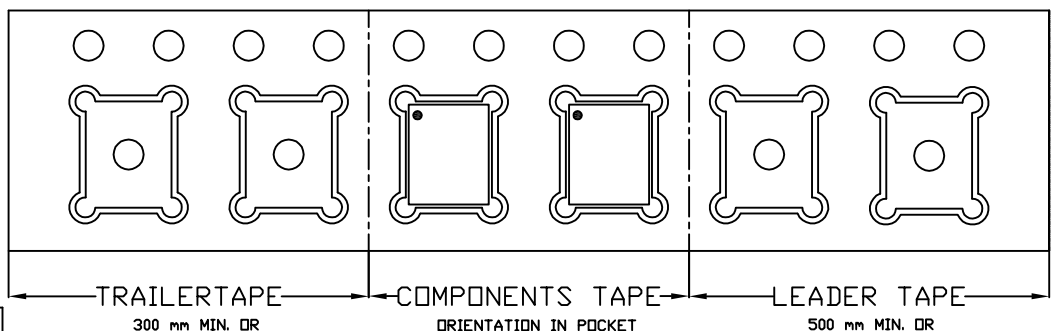
UNIT: MM

TAPE SIZE	REEL SIZE	M	N	W	W1	H	K	S			
12 mm	ø330	ø330 ±0.50	ø97.00 ±0.10	13.0 ±0.30	17.40 ±1.00	ø13.0 +0.3 -0.2	10.6	2.00 ±0.50			

QFN5x4 24L EP3 S Tape

Leader / Trailer
& Orientation

Unit Per Reel:
3000pcs



All Dimensions Comply with EAI-481