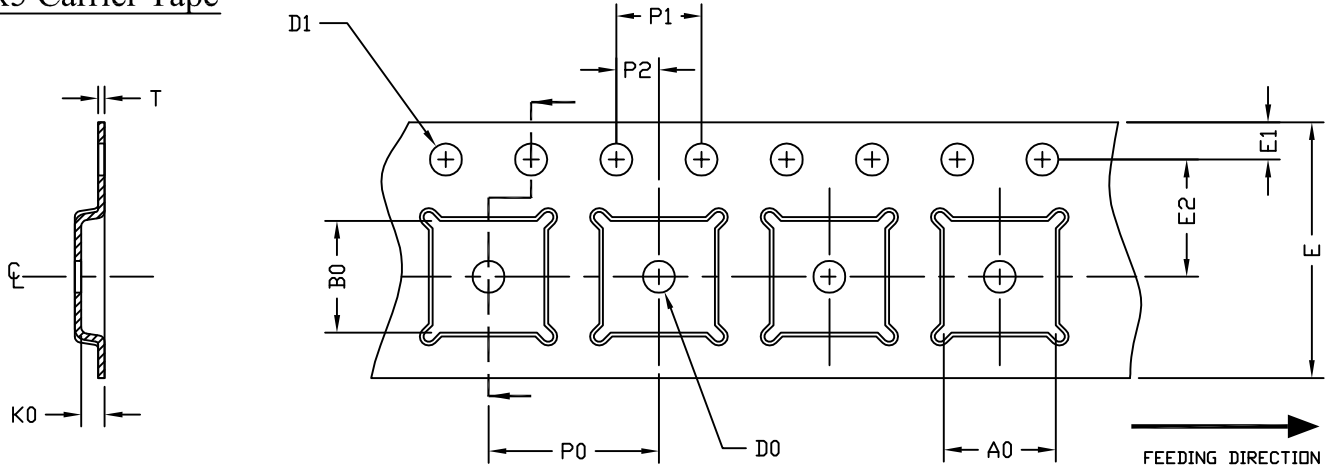




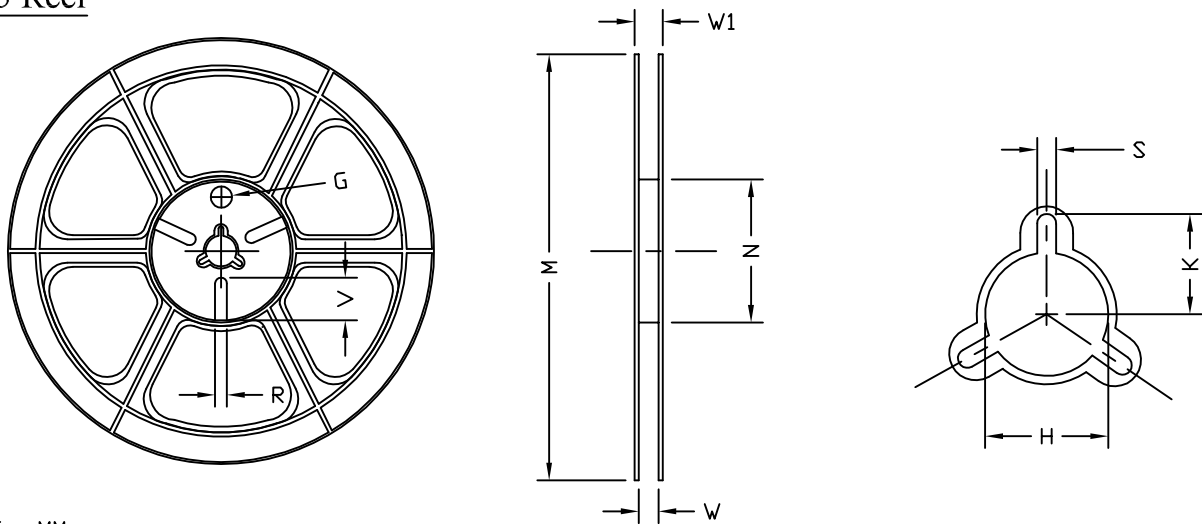
QFN5x5 Carrier Tape



UNIT: MM

PACKAGE	A0	B0	K0	D0	D1	E	E1	E2	P0	P1	P2	T
QFN5x5 (12 mm)	5.25 ±0.10	5.25 ±0.10	1.10 ±0.10	1.50 MIN.	1.50 $^{+0.1}_{-0.0}$	12.0 ±0.3	1.75 ±0.10	5.50 ±0.05	8.00 ±0.10	4.00 ±0.10	2.00 ±0.05	0.30 ±0.05

QFN5x5 Reel



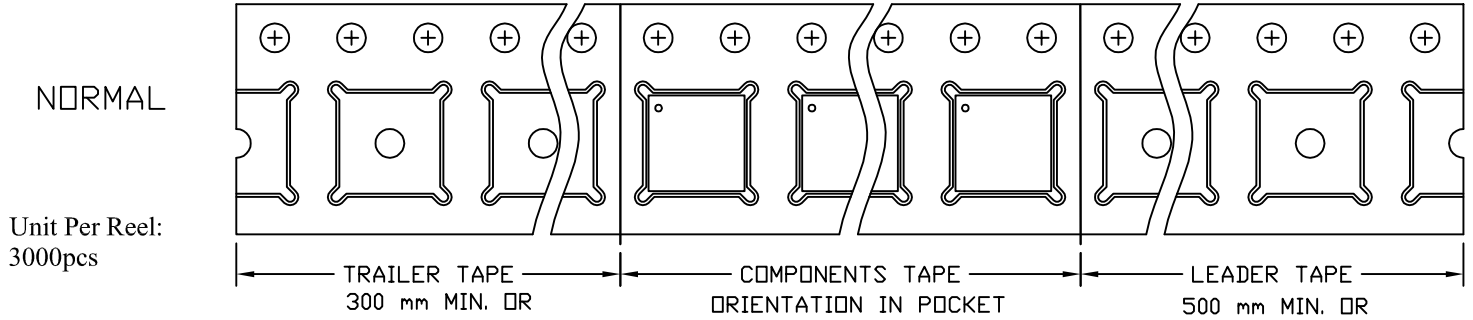
UNIT: MM

TAPE SIZE	REEL SIZE	M	N	W	W1	H	K	S	G	R	V
12 mm	∅330	∅330.0 ±2.0	∅100.0 ±1.0	12.4 $^{+2.0}_{-0.0}$	17.0 $^{+2.5}_{-1.2}$	∅13.0 ±0.5	10.5 ±0.2	2.0 ±0.5	---	---	---



QFN5x5 Tape

Leader / Trailer
& Orientation



Leader / Trailer
& Orientation

