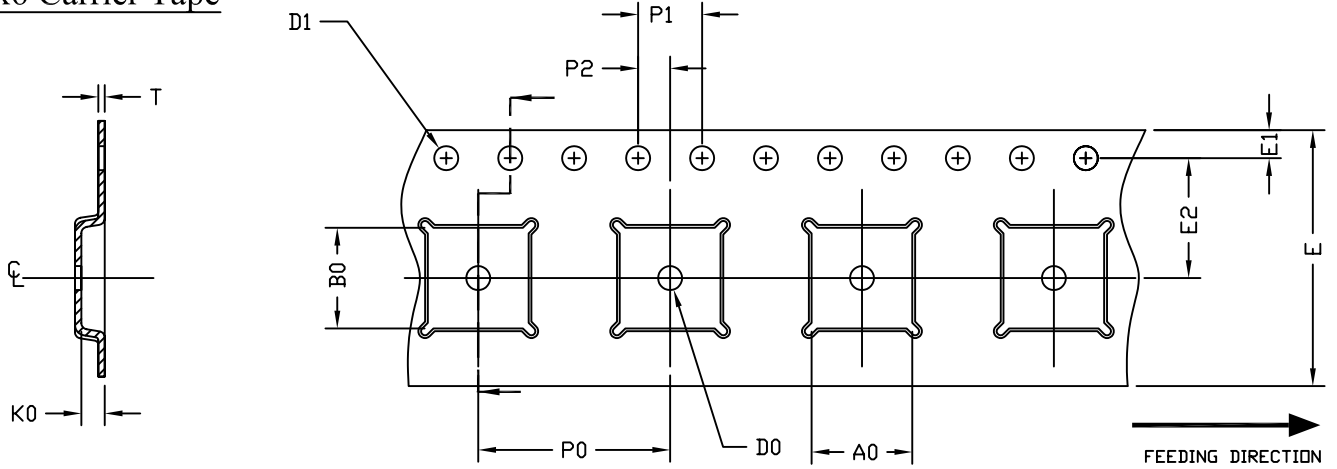




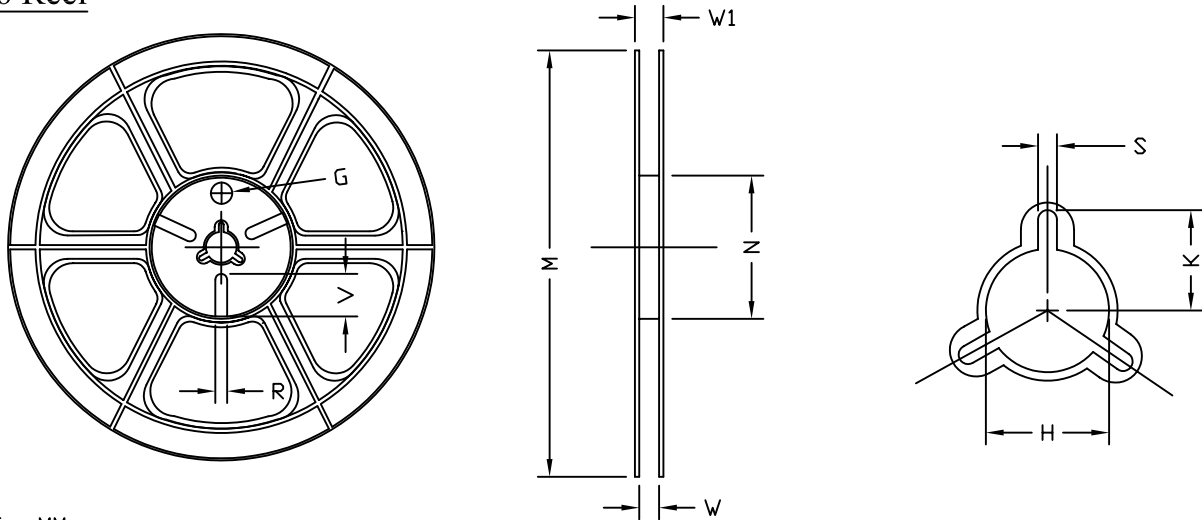
## QFN6x6 Carrier Tape



UNIT: MM

PACKAGE	A0	B0	K0	D0	D1	E	E1	E2	P0	P1	P2	T
QFN6x6 (16 mm)	6.30 ±0.20	6.30 ±0.20	1.10 ±0.20	1.50 MIN.	1.50 +0.1 -0.0	16.0 ±0.3	1.75 ±0.10	7.5 ±0.1	12.00 ±0.20	4.00 ±0.20	2.00 ±0.10	0.30 ±0.05

## QFN6x6 Reel



UNIT: MM

TAPE SIZE	REEL SIZE	M	N	W	W1	H	K	S	G	R	V
16 mm	ø330	ø330 MAX.	ø100 MIN.	16.4 ±2.0 -0.0	22.4 MAX.	ø13.0 +0.5 -0.2	10.1 MIN.	1.5 MIN.	---	---	---

## QFN6x6 Tape

Leader / Trailer  
& Orientation

