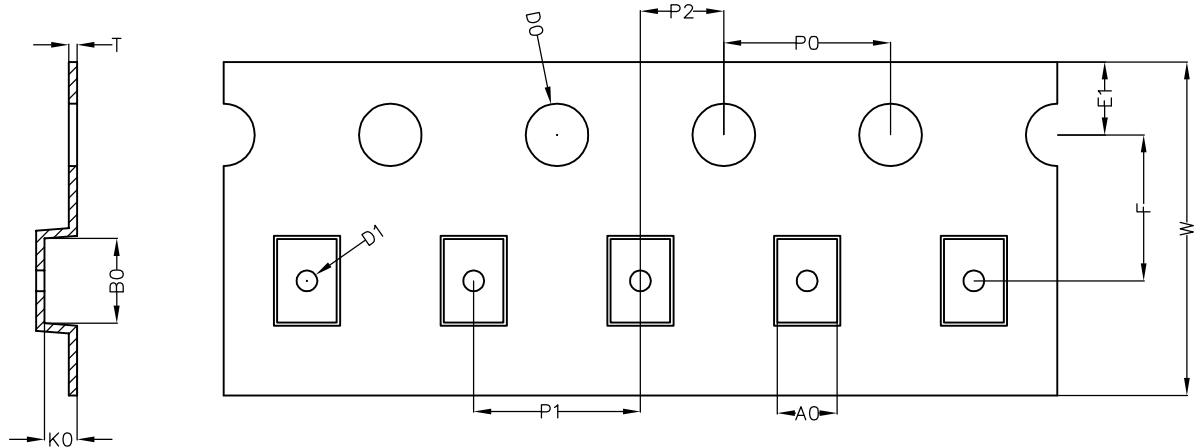




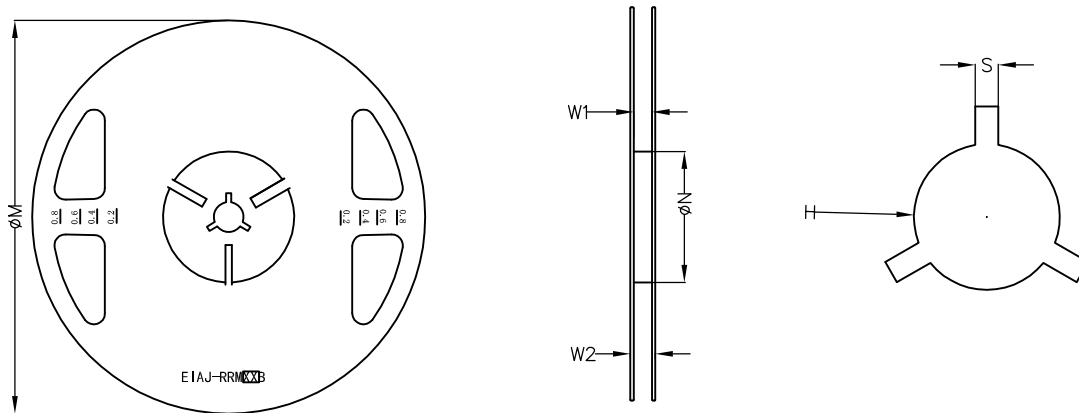
WLCSP1.81x1.31\_12 Carrier Tape



UNIT: MM

| A0    | B0    | K0    | D0             | D1    | W              | E1    | F     | P0    | P1    | P2    | T     |
|-------|-------|-------|----------------|-------|----------------|-------|-------|-------|-------|-------|-------|
| 1.43  | 2.00  | 0.78  | 1.50           | 0.50  | 8.00           | 1.75  | 3.50  | 4.00  | 4.00  | 2.00  | 0.20  |
| ±0.05 | ±0.05 | ±0.05 | +0.10<br>-0.00 | ±0.05 | +0.30<br>-0.10 | ±0.10 | ±0.05 | ±0.10 | ±0.10 | ±0.05 | ±0.02 |

WLCSP1.81x1.31\_12 REEL



UNIT: MM

| TAPE SIZE | REEL SIZE | M            | N            | W1           | W2           | H     | S    |
|-----------|-----------|--------------|--------------|--------------|--------------|-------|------|
| 8         | Ø180      | Ø180.0       | Ø60.0        | 9.0          | 11.4         | Ø13.0 | 2.0  |
|           |           | +0.0<br>-1.0 | +1.0<br>-0.0 | +1.0<br>-0.0 | +1.0<br>-0.0 | ±0.2  | ±0.5 |

WLCSP1.81x1.31\_12 TAPE

Leader / Trailer  
& Orientation

Unit Per Reel:  
3000pcs

