
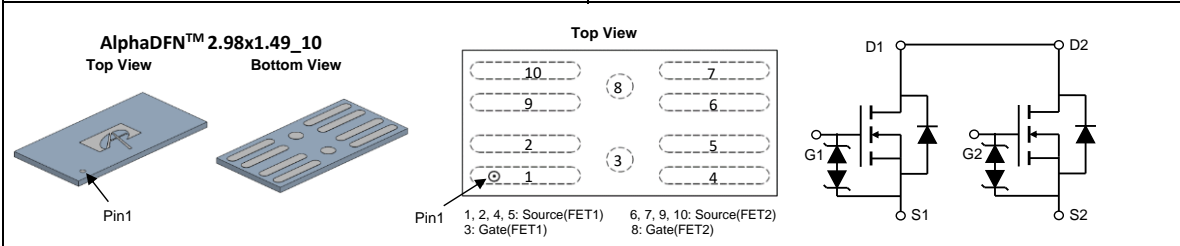


<p>General Description</p> <ul style="list-style-type: none"> Trench Power MOSFET technology Ultra low $R_{SS(ON)}$ Common drain configuration for design simplicity RoHS and Halogen-Free Compliant <p>Applications</p> <ul style="list-style-type: none"> Battery protection switch Mobile device battery charging and discharging 	<p>Product Summary</p> <table style="width: 100%; border: none;"> <tr> <td style="width: 60%;">V_{SS}</td> <td style="text-align: right;">12V</td> </tr> <tr> <td>$R_{SS(ON)}$ (at $V_{GS}=4.5V$)</td> <td style="text-align: right;">< 2.8mΩ</td> </tr> <tr> <td>$R_{SS(ON)}$ (at $V_{GS}=3.8V$)</td> <td style="text-align: right;">< 3mΩ</td> </tr> <tr> <td>$R_{SS(ON)}$ (at $V_{GS}=3.1V$)</td> <td style="text-align: right;">< 3.5mΩ</td> </tr> <tr> <td>$R_{SS(ON)}$ (at $V_{GS}=2.5V$)</td> <td style="text-align: right;">< 4.2mΩ</td> </tr> </table> <p>Typical ESD protection HBM Class 2</p> <div style="text-align: right;">  </div>	V_{SS}	12V	$R_{SS(ON)}$ (at $V_{GS}=4.5V$)	< 2.8m Ω	$R_{SS(ON)}$ (at $V_{GS}=3.8V$)	< 3m Ω	$R_{SS(ON)}$ (at $V_{GS}=3.1V$)	< 3.5m Ω	$R_{SS(ON)}$ (at $V_{GS}=2.5V$)	< 4.2m Ω
V_{SS}	12V										
$R_{SS(ON)}$ (at $V_{GS}=4.5V$)	< 2.8m Ω										
$R_{SS(ON)}$ (at $V_{GS}=3.8V$)	< 3m Ω										
$R_{SS(ON)}$ (at $V_{GS}=3.1V$)	< 3.5m Ω										
$R_{SS(ON)}$ (at $V_{GS}=2.5V$)	< 4.2m Ω										



Orderable Part Number	Package Type	Form	Minimum Order Quantity
AOCA33104A	AlphaDFN™ 2.98x1.49_10	Tape & Reel	8000

Absolute Maximum Ratings $T_A=25^\circ C$ unless otherwise noted

Parameter	Symbol	Rating	Units
Source-Source Voltage	V_{SS}	12	V
Gate-Source Voltage	V_{GS}	± 8	V
Source Current(DC) ^{Note1}	I_S	30	A
Source Current(Pulse) ^{Note2}			
Power Dissipation ^{Note1}	P_D	3.1	W
Junction and Storage Temperature Range	T_J, T_{STG}	-55 to 150	$^\circ C$

Thermal Characteristics

Parameter	Symbol	Typical	Units
Maximum Junction-to-Ambient	$R_{\theta JA}$	30	$^\circ C/W$
Maximum Junction-to-Ambient		40	$^\circ C/W$

Note 1. I_S rated value is based on bare silicon. Mounted on 70mmx70mm FR-4 board.

Note 2. PW < 10 μs pulses, duty cycle 1% max.

Electrical Characteristics (T_J=25°C unless otherwise noted)

Symbol	Parameter	Conditions	Min	Typ	Max	Units
STATIC PARAMETERS						
BV _{SSS}	Source-Source Breakdown Voltage	I _S =250μA, V _{GS} =0V Test Circuit 6	12			V
I _{SSS}	Zero Gate Voltage Source Current	V _{SS} =12V, V _{GS} =0V Test Circuit 1			1	μA
		T _J =55°C			5	
I _{GSS}	Gate leakage current	V _{SS} =0V, V _{GS} =±8V Test Circuit 2			±10	μA
V _{GS(th)}	Gate Threshold Voltage	V _{SS} =V _{GS} , I _S =250μA Test Circuit 3	0.5	0.85	1.3	V
R _{SS(ON)}	Static Source to Source On-Resistance	V _{GS} =4.5V, I _S =5A Test Circuit 4	1.5	2.1	2.8	mΩ
		T _J =125°C	2.1	2.9	3.8	
		V _{GS} =3.8V, I _S =5A Test Circuit 4	1.6	2.2	3	mΩ
		V _{GS} =3.1V, I _S =5A Test Circuit 4	1.8	2.5	3.5	mΩ
		V _{GS} =2.5V, I _S =5A Test Circuit 4	2	3	4.2	mΩ
g _{FS}	Forward Transconductance	V _{SS} =5V, I _S =5A Test Circuit 3		40		S
V _{FSS}	Forward Source to Source Voltage	I _S =1A, V _{GS} =0V Test Circuit 5		0.6	1	V
DYNAMIC PARAMETERS						
R _g	Gate resistance	f=1MHz		1.5		KΩ
SWITCHING PARAMETERS						
Q _g	Total Gate Charge	V _{G1S1} =4.5V, V _{SS} =6V, I _S =5A		32		nC
t _{D(on)}	Turn-On DelayTime	V _{G1S1} =4.5V, V _{SS} =6V, R _L =1.2Ω, R _{GEN} =3Ω Test Circuit8		2.2		μs
t _r	Turn-On Rise Time			5		μs
t _{D(off)}	Turn-Off DelayTime			3.2		μs
t _f	Turn-Off Fall Time			10		μs

APPLICATIONS OR USES AS CRITICAL COMPONENTS IN LIFE SUPPORT DEVICES OR SYSTEMS ARE NOT AUTHORIZED. AOS DOES NOT ASSUME ANY LIABILITY ARISING OUT OF SUCH APPLICATIONS OR USES OF ITS PRODUCTS. AOS RESERVES THE RIGHT TO MAKE CHANGES TO PRODUCT SPECIFICATIONS WITHOUT NOTICE. IT IS THE RESPONSIBILITY OF THE CUSTOMER TO EVALUATE SUITABILITY OF THE PRODUCT FOR THEIR INTENDED APPLICATION. CUSTOMER SHALL COMPLY WITH APPLICABLE LEGAL REQUIREMENTS, INCLUDING ALL APPLICABLE EXPORT CONTROL RULES, REGULATIONS AND LIMITATIONS.

AOS' products are provided subject to AOS' terms and conditions of sale which are set forth at:
http://www.aosmd.com/terms_and_conditions_of_sale

TYPICAL ELECTRICAL AND THERMAL CHARACTERISTICS

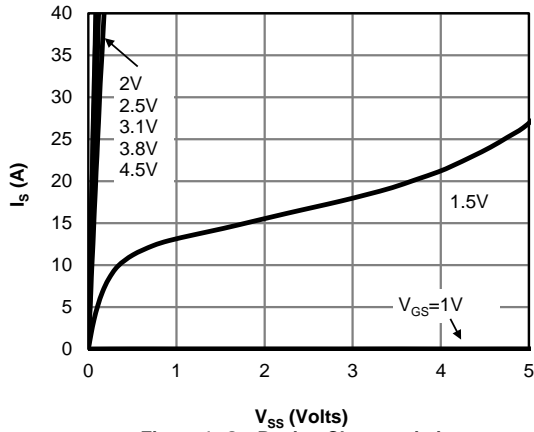


Figure 1: On-Region Characteristics

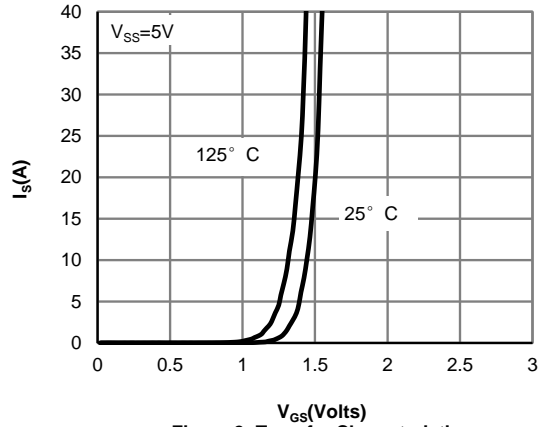


Figure 2: Transfer Characteristics

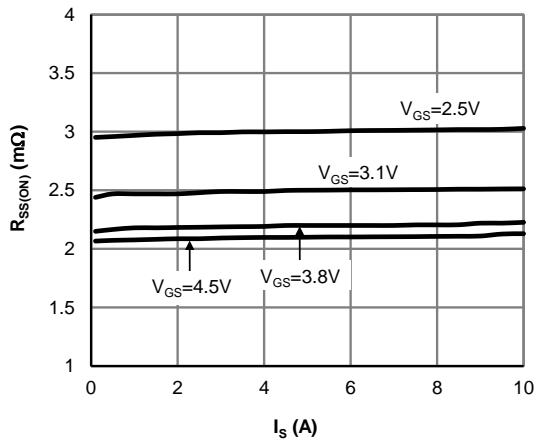


Figure 3: On-Resistance vs. Source Current and Gate Voltage

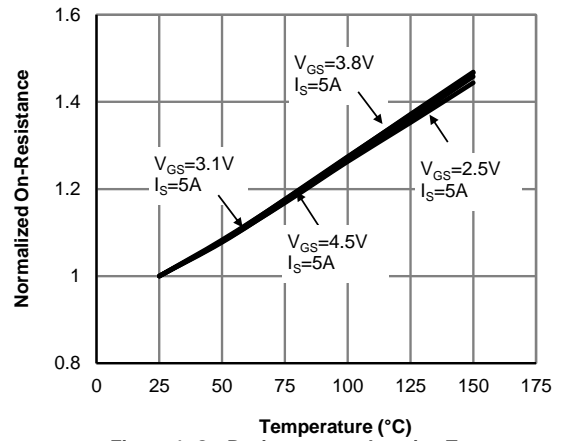


Figure 4: On-Resistance vs. Junction Temperature

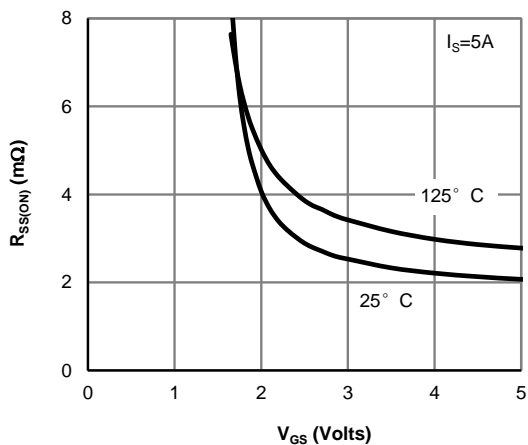


Figure 5: On-Resistance vs. Gate-Source Voltage

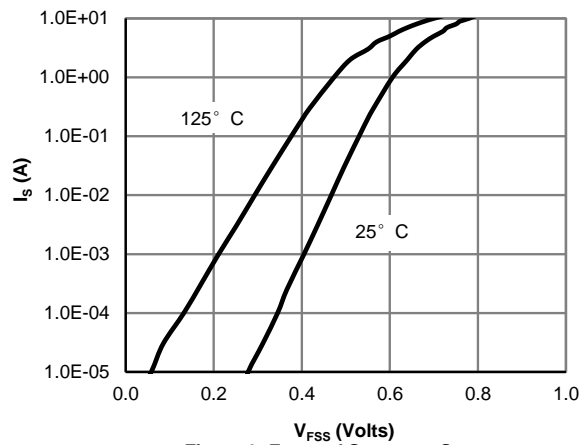


Figure 6: Forward Source to Source Characteristics

TYPICAL ELECTRICAL AND THERMAL CHARACTERISTICS

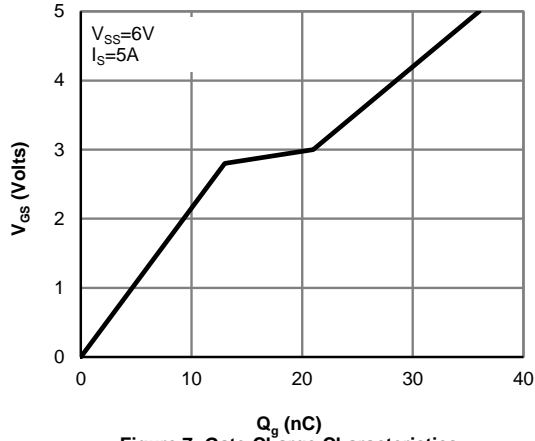


Figure 7: Gate-Charge Characteristics

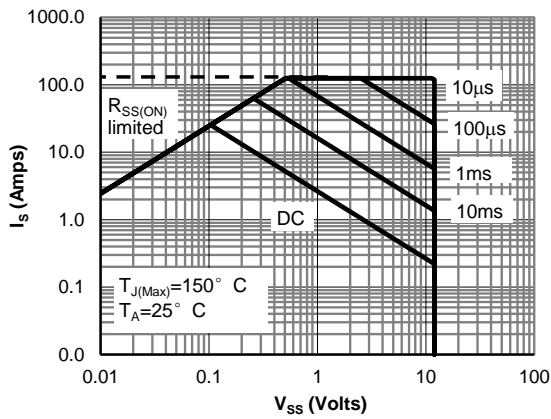


Figure 8: Maximum Forward Biased Safe Operating Area (Note1)

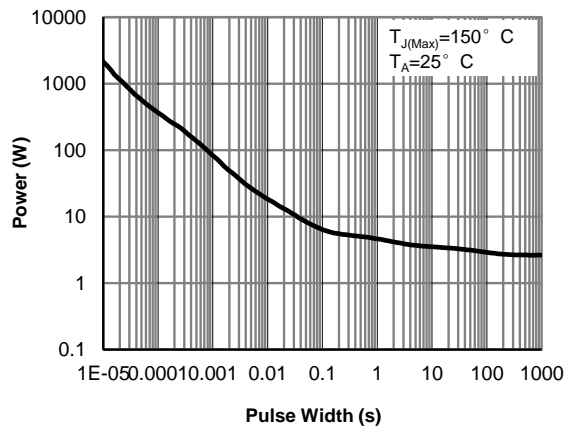


Figure 9: Single Pulse Power Rating Junction-to-Ambient (Note1)

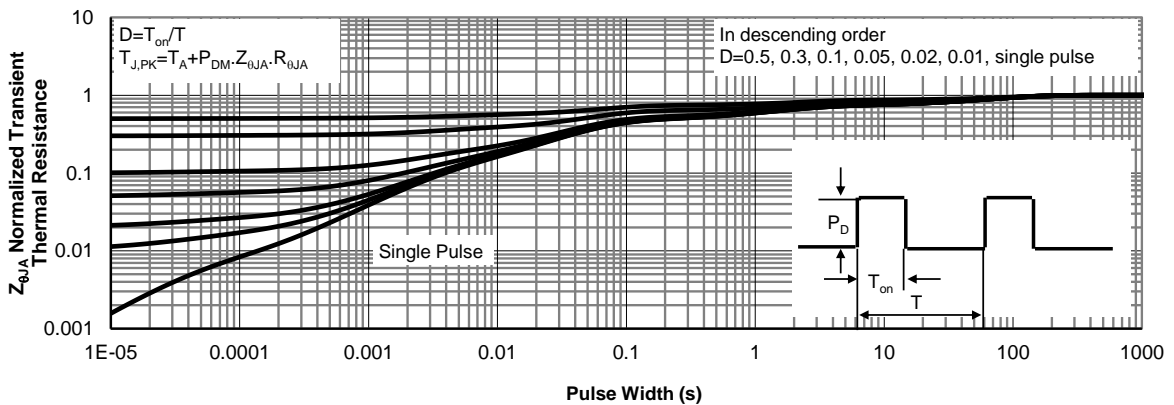
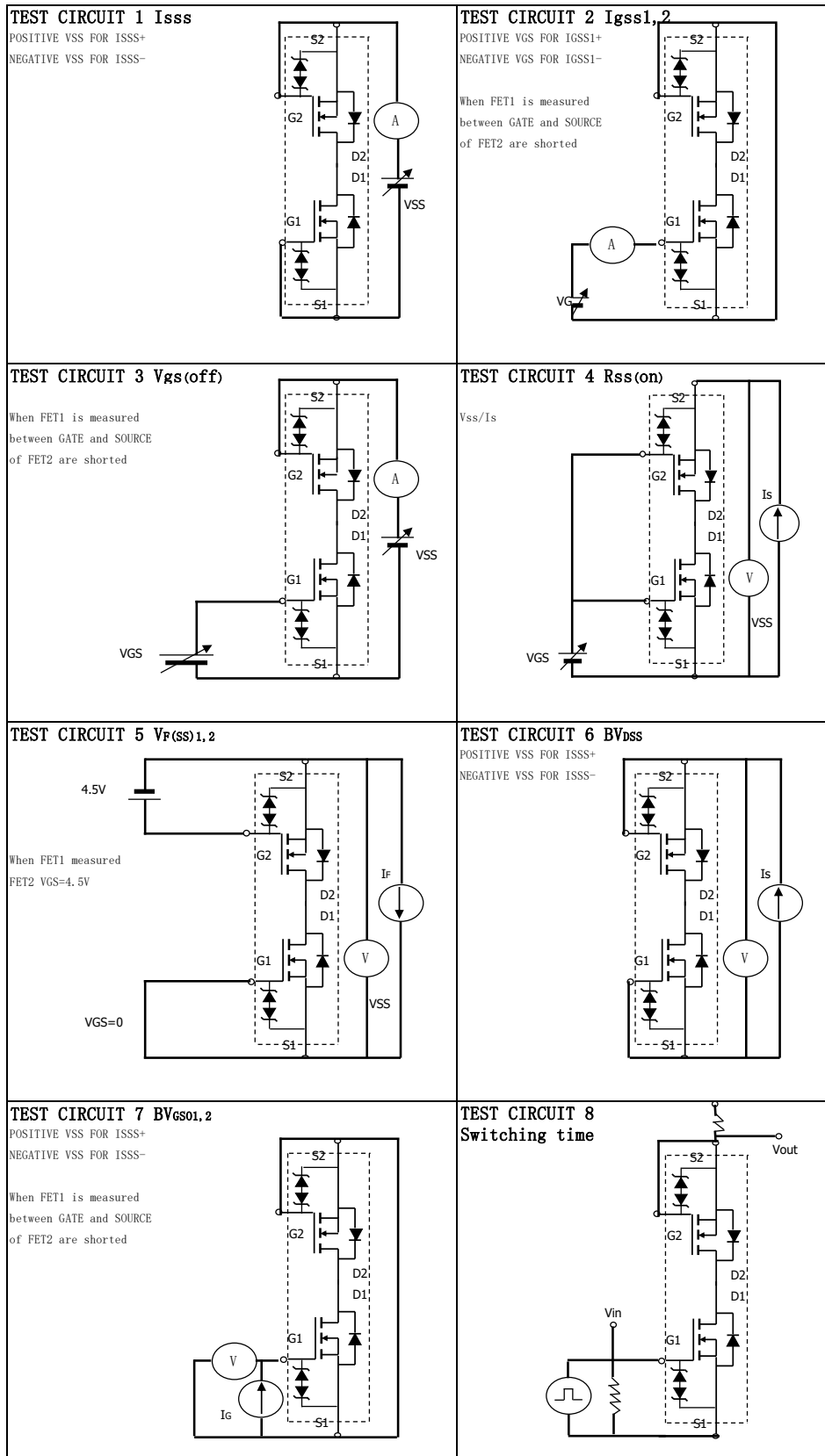
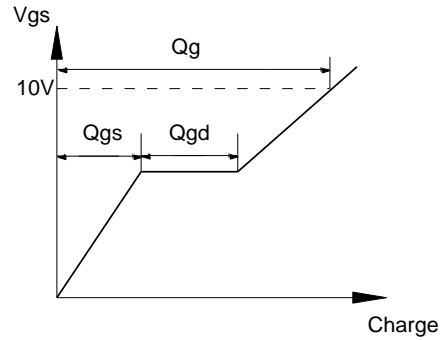
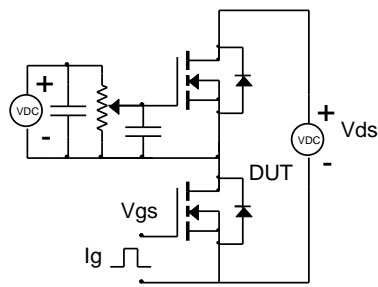


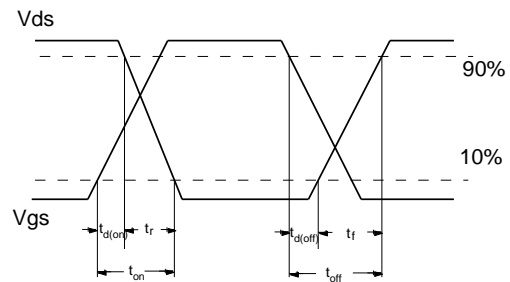
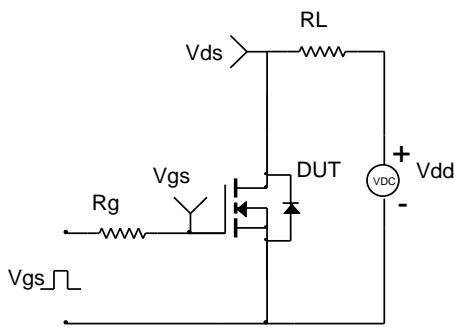
Figure 10: Normalized Maximum Transient Thermal Impedance (Note1)



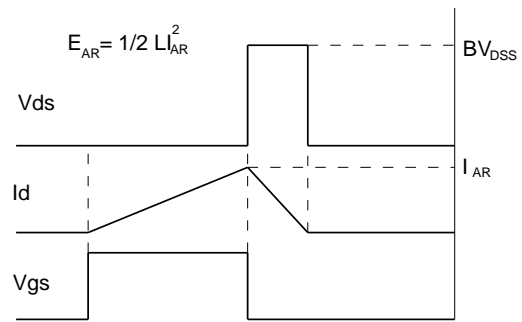
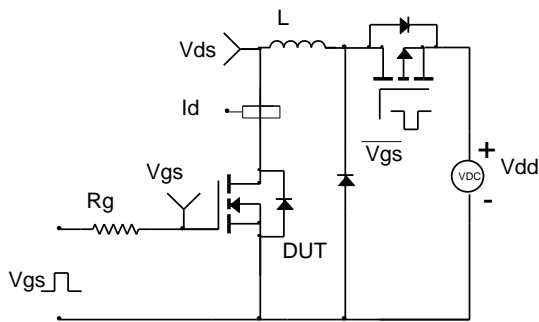
Gate Charge Test Circuit & Waveform



Resistive Switching Test Circuit & Waveforms



Unclamped Inductive Switching (UIS) Test Circuit & Waveforms



Diode Recovery Test Circuit & Waveforms

