

General Description

- Latest Advanced Trench Technology
- Low $R_{DS(ON)}$
- High Current Capability
- RoHS and Halogen-Free Compliant

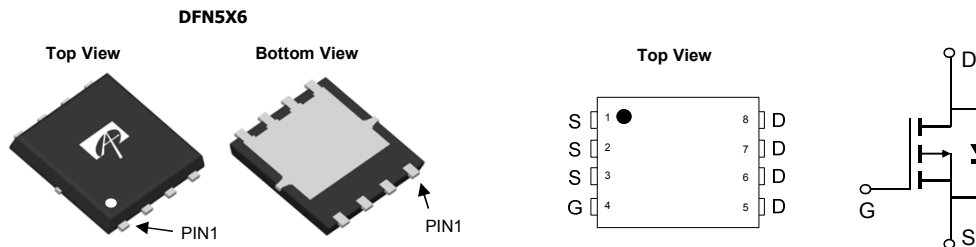
Applications

- Notebook AC-in Load Switch
- Battery Protection Charge/Discharge

Product Summary

| | |
|-----------------------------------|------------------|
| V_{DS} | -30V |
| I_D (at $V_{GS}=-10V$) | -24A |
| $R_{DS(ON)}$ (at $V_{GS}=-10V$) | < 16.5m Ω |
| $R_{DS(ON)}$ (at $V_{GS}=-4.5V$) | < 29.5m Ω |

100% UIS Tested
 100% Rg Tested



| Orderable Part Number | Package Type | Form | Minimum Order Quantity |
|-----------------------|--------------|-------------|------------------------|
| AONS21321 | DFN 5x6 | Tape & Reel | 3000 |

Absolute Maximum Ratings $T_A=25^\circ\text{C}$ unless otherwise noted

| Parameter | Symbol | Maximum | Units |
|----------------------------------------|----------------|-------------------------|------------------|
| Drain-Source Voltage | V_{DS} | -30 | V |
| Gate-Source Voltage | V_{GS} | ± 25 | V |
| Continuous Drain Current ^G | I_D | $T_C=25^\circ\text{C}$ | -24 |
| | | $T_C=100^\circ\text{C}$ | -20 |
| Pulsed Drain Current ^C | I_{DM} | -66 | A |
| Continuous Drain Current | I_{DSM} | $T_A=25^\circ\text{C}$ | -14 |
| | | $T_A=70^\circ\text{C}$ | -11 |
| Avalanche Current ^C | I_{AS} | 25 | A |
| Avalanche energy L=0.1mH ^C | E_{AS} | 31 | mJ |
| Power Dissipation ^B | P_D | $T_C=25^\circ\text{C}$ | 24.5 |
| | | $T_C=100^\circ\text{C}$ | 9.8 |
| Power Dissipation ^A | P_{DSM} | $T_A=25^\circ\text{C}$ | 5 |
| | | $T_A=70^\circ\text{C}$ | 3.2 |
| Junction and Storage Temperature Range | T_J, T_{STG} | -55 to 150 | $^\circ\text{C}$ |

Thermal Characteristics

| Parameter | Symbol | Typ | Max | Units |
|---------------------------------------------------------|-----------------|-----|-----|--------------------|
| Maximum Junction-to-Ambient ^A $t \leq 10s$ | $R_{\theta JA}$ | 20 | 25 | $^\circ\text{C/W}$ |
| Maximum Junction-to-Ambient ^{A,D} Steady-State | | 45 | 55 | $^\circ\text{C/W}$ |
| Maximum Junction-to-Case Steady-State | $R_{\theta JC}$ | 4.1 | 5.1 | $^\circ\text{C/W}$ |

Electrical Characteristics (T_J=25°C unless otherwise noted)

| Symbol | Parameter | Conditions | Min | Typ | Max | Units |
|-----------------------------|----------------------------------------------------|----------------------------------------------------------------------------------------------|------|-------|----------|-------|
| STATIC PARAMETERS | | | | | | |
| BV _{DSS} | Drain-Source Breakdown Voltage | I _D =-250μA, V _{GS} =0V | -30 | | | V |
| I _{DSS} | Zero Gate Voltage Drain Current | V _{DS} =-30V, V _{GS} =0V T _J =55°C | | | -1 -5 | μA |
| I _{GSS} | Gate-Body leakage current | V _{DS} =0V, V _{GS} =±25V | | | ±100 | nA |
| V _{GS(th)} | Gate Threshold Voltage | V _{DS} =V _{GS} , I _D =-250μA | -1.3 | -1.8 | -2.3 | V |
| R _{DS(on)} | Static Drain-Source On-Resistance | V _{GS} =-10V, I _D =-20A T _J =125°C | | 13.5 | 16.5 | mΩ |
| | | V _{GS} =-4.5V, I _D =-10A | | 19.5 | 23.5 | |
| g _{FS} | Forward Transconductance | V _{DS} =-5V, I _D =-20A | | 30 | | S |
| V _{SD} | Diode Forward Voltage | I _S =-1A, V _{GS} =0V | | -0.72 | -1 | V |
| I _S | Maximum Body-Diode Continuous Current ^G | | | | -24 | A |
| DYNAMIC PARAMETERS | | | | | | |
| C _{iss} | Input Capacitance | V _{GS} =0V, V _{DS} =-15V, f=1MHz | | 1180 | | pF |
| C _{oss} | Output Capacitance | | | 185 | | pF |
| C _{rss} | Reverse Transfer Capacitance | | | 155 | | pF |
| R _g | Gate resistance | f=1MHz | | 5 | 10 | Ω |
| SWITCHING PARAMETERS | | | | | | |
| Q _{g(10V)} | Total Gate Charge | V _{GS} =-10V, V _{DS} =-15V, I _D =-20A | | 21 | 34 | nC |
| Q _{g(4.5V)} | Total Gate Charge | | | 11 | 18 | |
| Q _{gs} | Gate Source Charge | | | 6 | | |
| Q _{gd} | Gate Drain Charge | | | 3 | | |
| t _{D(on)} | Turn-On DelayTime | | | 10.5 | | |
| t _r | Turn-On Rise Time | V _{GS} =-10V, V _{DS} =-15V, R _L =0.75Ω, R _{GEN} =3Ω | | 8.5 | | ns |
| t _{D(off)} | Turn-Off DelayTime | | | 30 | | ns |
| t _f | Turn-Off Fall Time | | | 11.5 | | ns |
| t _{rr} | Body Diode Reverse Recovery Time | I _F =-20A, di/dt=500A/μs | | 13 | | ns |
| Q _{rr} | Body Diode Reverse Recovery Charge | I _F =-20A, di/dt=500A/μs | | 23 | | nC |

A. The value of R_{θJA} is measured with the device mounted on 1in² FR-4 board with 2oz. Copper, in a still air environment with T_A =25° C. The Power dissipation P_{DSM} is based on R_{θJA} ≤ 10s and the maximum allowed junction temperature of 150° C. The value in any given application depends on the user's specific board design.

B. The power dissipation P_D is based on T_{J(MAX)}=150° C, using junction-to-case thermal resistance, and is more useful in setting the upper dissipation limit for cases where additional heatsinking is used.

C. Single pulse width limited by junction temperature T_{J(MAX)}=150° C.

D. The R_{θJA} is the sum of the thermal impedance from junction to case R_{θJC} and case to ambient.

E. The static characteristics in Figures 1 to 6 are obtained using <300μs pulses, duty cycle 0.5% max.

F. These curves are based on the junction-to-case thermal impedance which is measured with the device mounted to a large heatsink, assuming a maximum junction temperature of T_{J(MAX)}=150° C. The SOA curve provides a single pulse rating.

G. The maximum current rating is package limited.

H. These tests are performed with the device mounted on 1 in² FR-4 board with 2oz. Copper, in a still air environment with T_A=25° C.

APPLICATIONS OR USE AS CRITICAL COMPONENTS IN LIFE SUPPORT DEVICES OR SYSTEMS ARE NOT AUTHORIZED. AOS DOES NOT ASSUME ANY LIABILITY ARISING OUT OF SUCH APPLICATIONS OR USES OF ITS PRODUCTS. AOS RESERVES THE RIGHT TO IMPROVE PRODUCT DESIGN,FUNCTIONS AND RELIABILITY WITHOUT NOTICE.

TYPICAL ELECTRICAL AND THERMAL CHARACTERISTICS

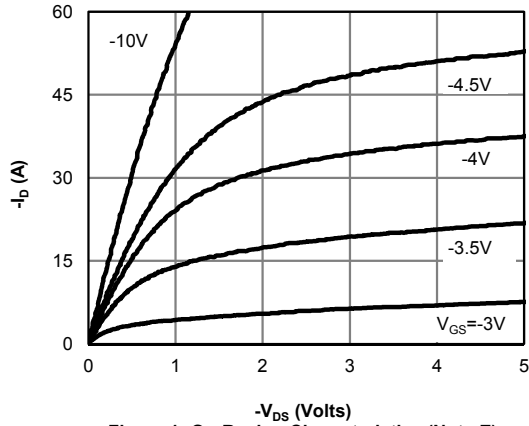


Figure 1: On-Region Characteristics (Note E)

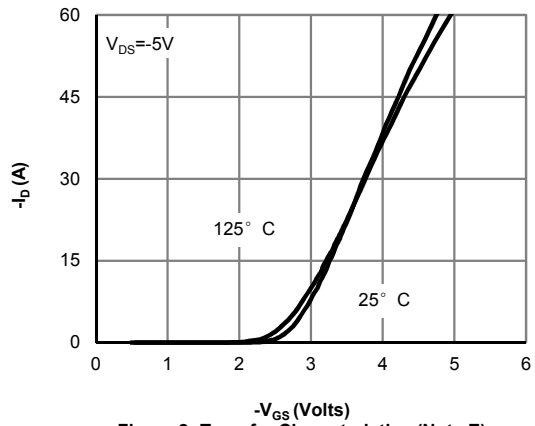


Figure 2: Transfer Characteristics (Note E)

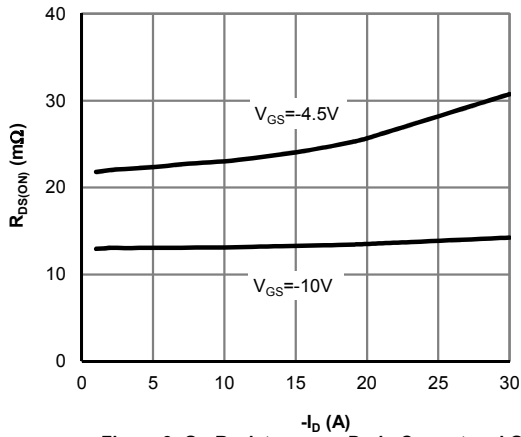


Figure 3: On-Resistance vs. Drain Current and Gate Voltage (Note E)

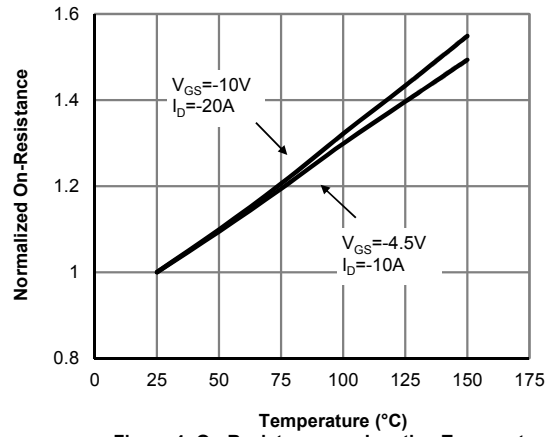


Figure 4: On-Resistance vs. Junction Temperature (Note E)

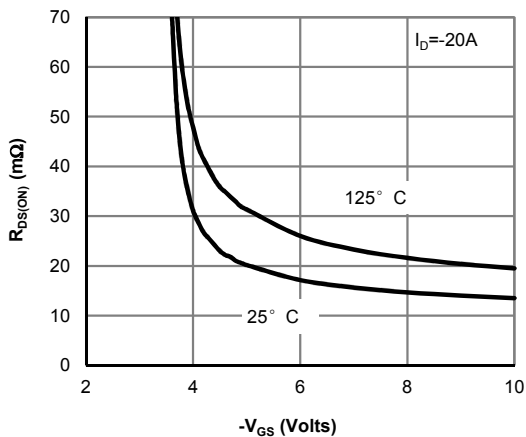


Figure 5: On-Resistance vs. Gate-Source Voltage (Note E)

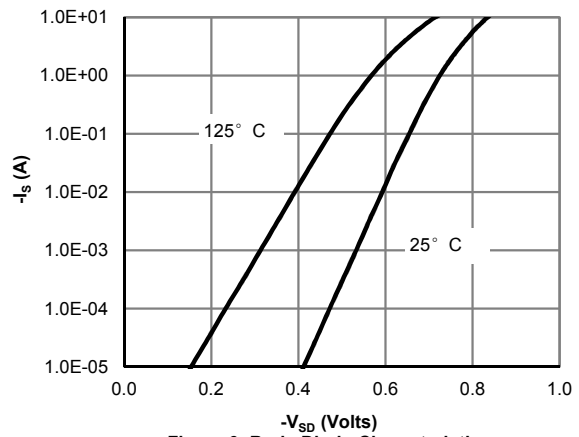


Figure 6: Body-Diode Characteristics (Note E)

TYPICAL ELECTRICAL AND THERMAL CHARACTERISTICS

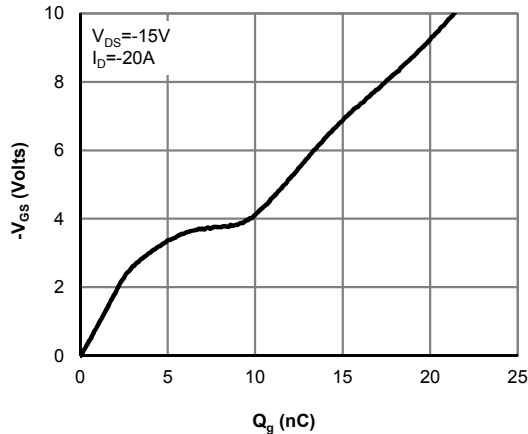


Figure 7: Gate-Charge Characteristics

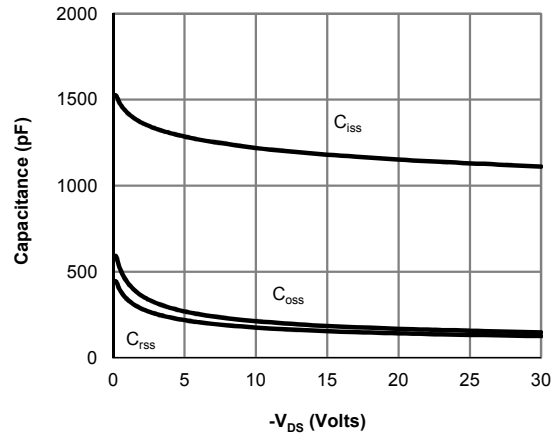


Figure 8: Capacitance Characteristics

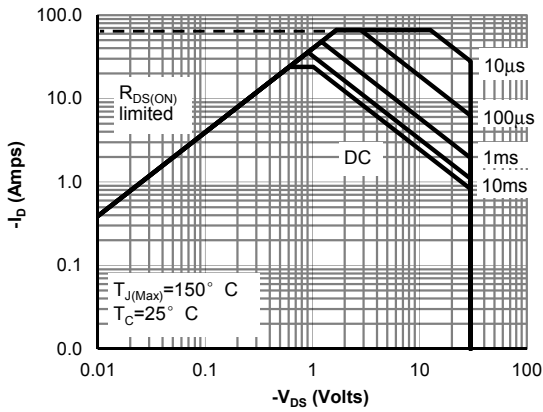


Figure 9: Maximum Forward Biased Safe Operating Area (Note F)

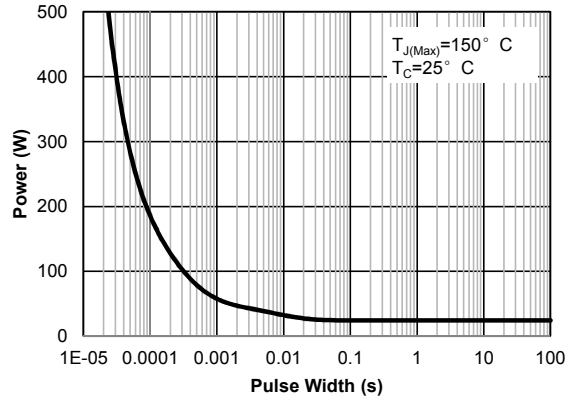


Figure 10: Single Pulse Power Rating Junction-to-Case (Note F)

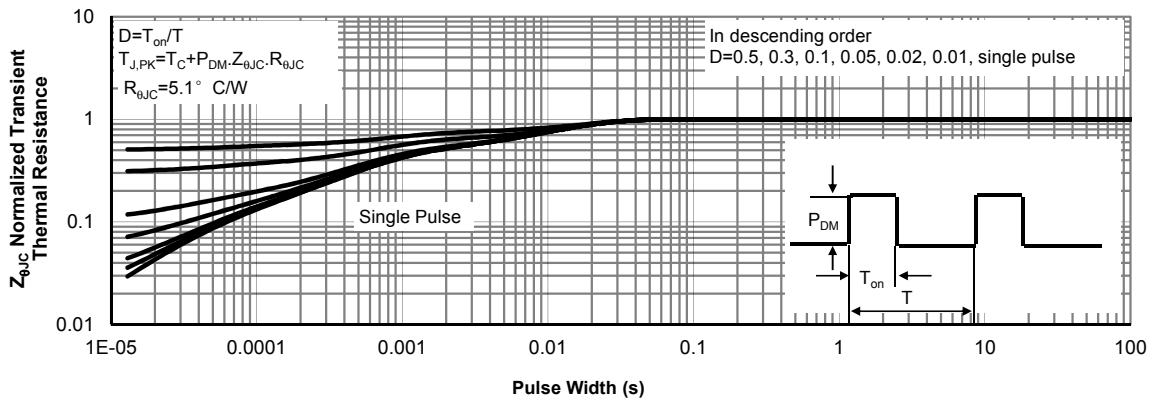


Figure 11: Normalized Maximum Transient Thermal Impedance (Note F)

TYPICAL ELECTRICAL AND THERMAL CHARACTERISTICS

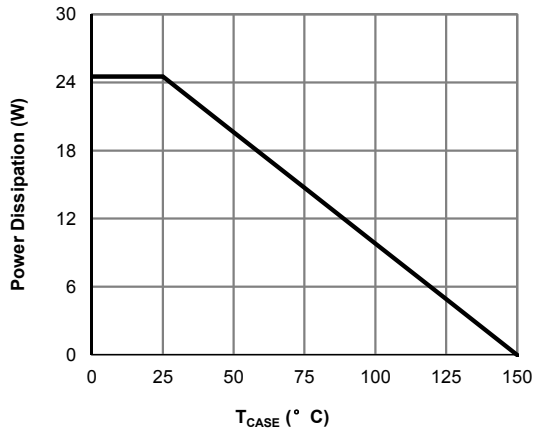


Figure 12: Power De-rating (Note F)

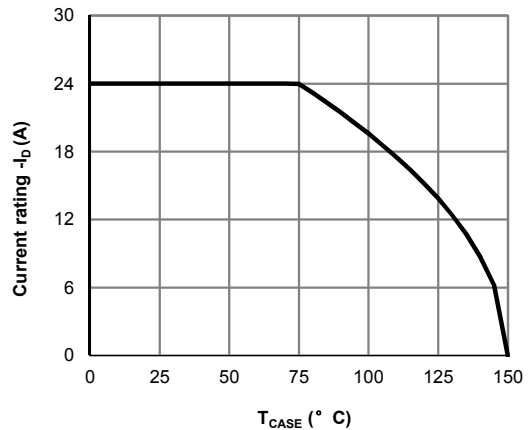


Figure 13: Current De-rating (Note F)

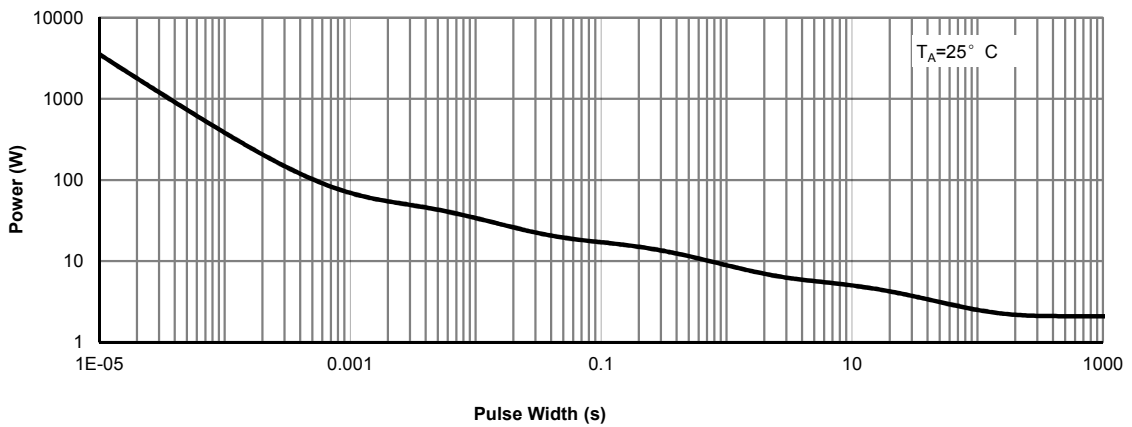


Figure 14: Single Pulse Power Rating Junction-to-Ambient (Note H)

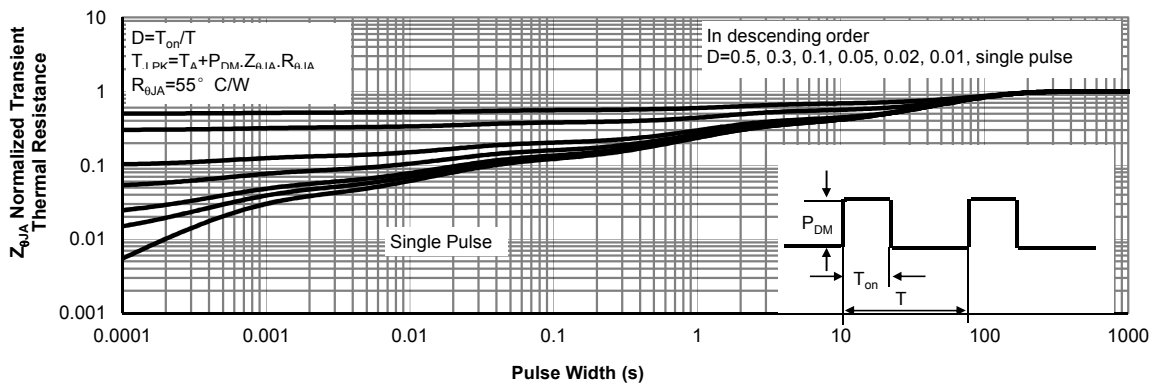
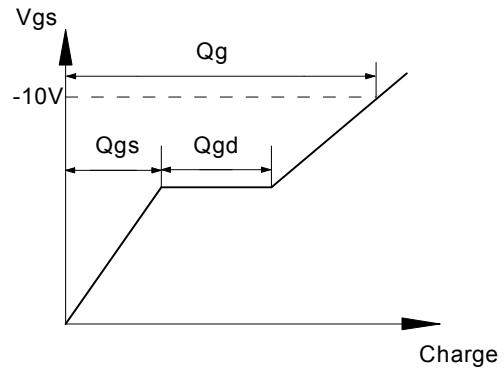
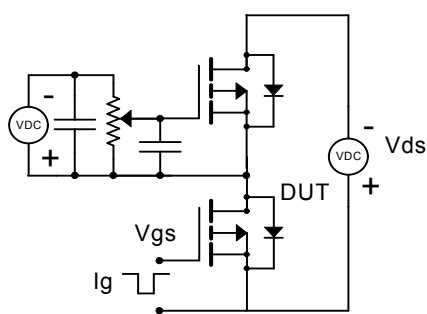
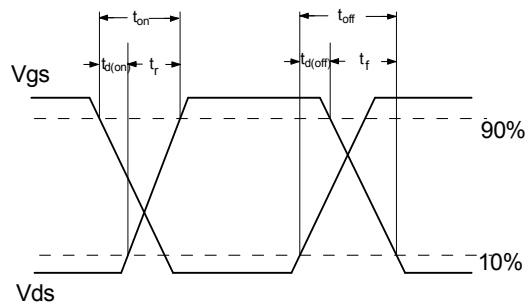
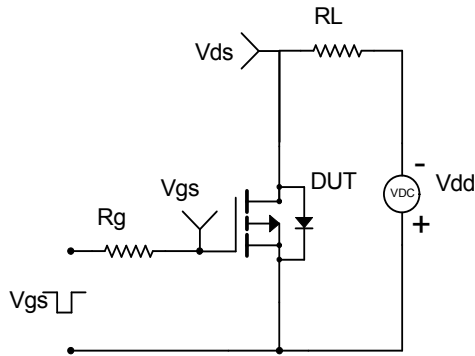


Figure 15: Normalized Maximum Transient Thermal Impedance (Note H)

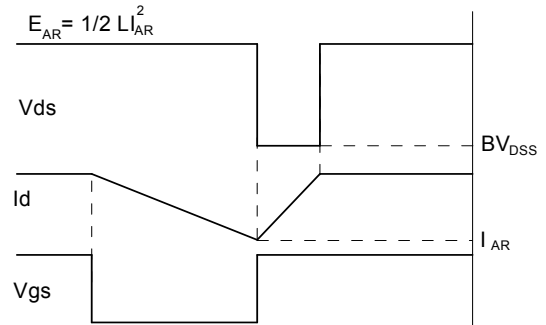
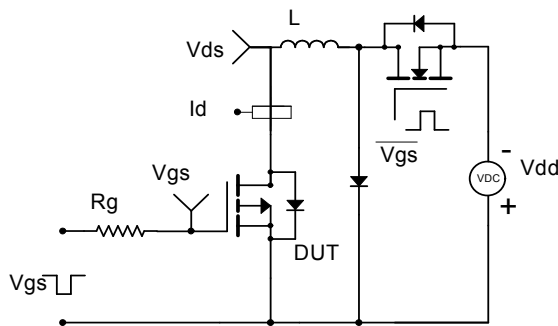
Gate Charge Test Circuit & Waveform



Resistive Switching Test Circuit & Waveforms



Unclamped Inductive Switching (UIS) Test Circuit & Waveforms



Diode Recovery Test Circuit & Waveforms

