

General Description

The AOZ8621UNI is a series of 1-channel unidirectional high surge transient voltage suppressors designed to protect power rails such as battery and VBUS from damaging ESD or surge events. The VRWM range is from 5V to 22V.

This device consists a unidirectional TVS diode in a single package. During transient events, the diode directs the transient to either the positive side of the power supply line or to ground.

The AOZ8621UNI provides low clamping voltage making it ideally suited for power rail protection in mobile and computing devices.

The AOZ8621UNI comes in a RoHS compliant and Halogen Free 2mm×2mm×0.55mm package and is rated for -40°C to +125°C junction temperature range.

Features

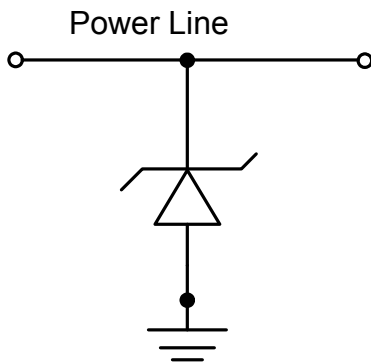
- ESD protection for high-speed data lines:
 - IEC 61000-4-2 (ESD) $\pm 30\text{kV}$ (air and contact)
 - Air discharge: $\pm 30\text{kV}$
 - Contact discharge: $\pm 30\text{kV}$
- IEC 61000-4-5 (Lightning, 8/20 μs) ± 380 to $\pm 100\text{A}$
- Low clamping voltage
- VRWM: 5, 7.5, 12, 15, 18, 20, 22V

Applications

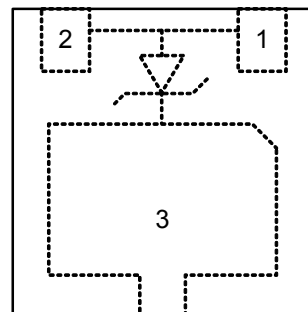
- Battery
- VBUS
- Mobile phone
- Notebook computers



Typical Application



Pin Configuration



DFN2.0x2.0_3L
(Top View)

Ordering Information

Part Number	Ambient Temperature Range	Package	Environmental
AOZ8621UNI-05	-40°C to +125°C	DFN2×2-3L	Green Product
AOZ8621UNI-07			
AOZ8621UNI-12			
AOZ8621UNI-15			
AOZ8621UNI-18			
AOZ8621UNI-20			
AOZ8621UNI-22			



AOS Green Products use reduced levels of Halogens, and are also RoHS compliant.

Please visit www.aosmd.com/media/AOSGreenPolicy.pdf for additional information.

Absolute Maximum Ratings

Exceeding the Absolute Maximum ratings may damage the device.

Parameter	Rating
Working Voltage	5V to 22V
Storage Temperature (T _S)	-65 °C to +150°C
ESD Rating per IEC61000-4-2, contact ⁽¹⁾	±30 kV
ESD Rating per IEC61000-4-2, air ⁽¹⁾	±30 kV
8/20µs Surge IEC61000-4-5 Peak Pulse Power	3800 W
8/20µs Surge IEC61000-4-5 Peak Pulse Current	± 380 to 100 A

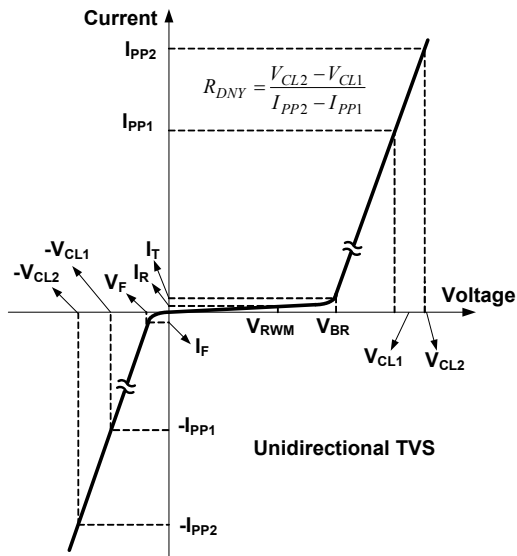
Notes:

- IEC 61000-4-2 discharge with C_{Discharge} = 150pF, R_{Discharge} = 330Ω.
- Human Body Discharge per MIL-STD-883, Method 3015 C_{Discharge} = 100pF, R_{Discharge} = 1.5kΩ.

Maximum Operating Ratings

Parameter	Rating
Junction Temperature (T _J)	-40°C to +125°C

Electrical Characteristics



$T_A = 25^\circ\text{C}$ unless otherwise specified.

Symbol	Parameter
V_{RWM}	Maximum Reverse Working Voltage
V_{BR}	Breakdown Voltage
I_R	Leakage Current
I_{PP}	Peak Pulse Current
V_{CL}	Clamping Voltage
R_{DNY}	Dynamic Resistance
I_T	Test Current
V_F	Forward Voltage

Part Number	V_{RWM} (V)		V_{BR} at 1mA (V)		I_R at Max. V_{RWM} (nA)		Rated I_{PP} (A) ⁽³⁾	V_{CL} at 1A (V) ⁽³⁾⁽⁴⁾	V_{CL} at I_{PP_RATED} (V) ⁽³⁾⁽⁴⁾	R_{DNY} 1A to I_{PP_RATED} (Ω) ⁽³⁾⁽⁴⁾	C_J at 1MHz (pF) ⁽⁴⁾
	Max	Min	Typ	Max	Typ	Max	Max	Max	Max	Typ	Typ
AOZ8621UNI-05	5	6	7	8	10	800	380	8	12	0.01	3000
AOZ8621UNI-07	7.5	8	9	10	10	800	320	11	16	0.02	2100
AOZ8621UNI-12	12	13.2	14.5	16.5	10	800	190	17.5	23.5	0.03	1100
AOZ8621UNI-15	15	16.5	18	19.5	10	800	140	21	28	0.04	880
AOZ8621UNI-18	18	19	21	23	15	800	120	25	33	0.06	750
AOZ8621UNI-20	20	21.5	23.5	25.5	23	800	110	28	38	0.08	660
AOZ8621UNI-22	22	23.5	25.5	27.5	20	800	100	29	39	0.08	630

Notes:

- 3. These specifications are guaranteed by design and characterization.
- 4. Per IEC61000-4-5 Surge 1.2/50 μs (8/20 μs).

LEGAL DISCLAIMER

Applications or uses as critical components in life support devices or systems are not authorized. AOS does not assume any liability arising out of such applications or uses of its products. AOS reserves the right to make changes to product specifications without notice. It is the responsibility of the customer to evaluate suitability of the product for their intended application. Customer shall comply with applicable legal requirements, including all applicable export control rules, regulations and limitations.

AOS' products are provided subject to AOS' terms and conditions of sale which are set forth at:

http://www.aosmd.com/terms_and_conditions_of_sale

LIFE SUPPORT POLICY

ALPHA AND OMEGA SEMICONDUCTOR PRODUCTS ARE NOT AUTHORIZED FOR USE AS CRITICAL COMPONENTS IN LIFE SUPPORT DEVICES OR SYSTEMS.

As used herein:

1. Life support devices or systems are devices or systems which, (a) are intended for surgical implant into the body or (b) support or sustain life, and (c) whose failure to perform when properly used in accordance with instructions for use provided in the labeling, can be reasonably expected to result in a significant injury of the user.
2. A critical component in any component of a life support, device, or system whose failure to perform can be reasonably expected to cause the failure of the life support device or system, or to affect its safety or effectiveness.