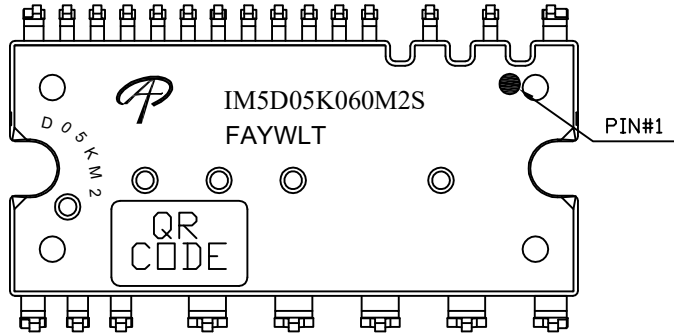




Document No.	PD-03697
Version	A
Title	AIM5D05K060M2S Marking Description

IPM-5A PACKAGE MARKING DESCRIPTION



Green product

NOTE:	
LOGO	- AOS Logo
IM5D05K060M2S	- Part number code
F	- Fab code
A	- Assembly location code
Y	- Year code
W	- Week code
L&T	- Assembly lot code
D05KM2	- circle marking

PART NO.	DESCRIPTION	CODE
AIM5D05K060M2S	Green product	IM5D05K060M2S