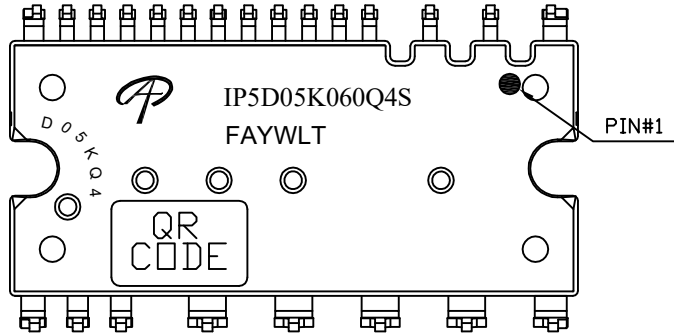




Document No.	PD-03700
Version	A
Title	AIP5D05K060Q4S Marking Description

IPM-5A PACKAGE MARKING DESCRIPTION



Green product

NOTE:	
LOGO	- AOS Logo
IP5D05K060Q4S	- Part number code
F	- Fab code
A	- Assembly location code
Y	- Year code
W	- Week code
L&T	- Assembly lot code
D05KQ4	- circle marking

PART NO.	DESCRIPTION	CODE
AIP5D05K060Q4S	Green product	IP5D05K060Q4S