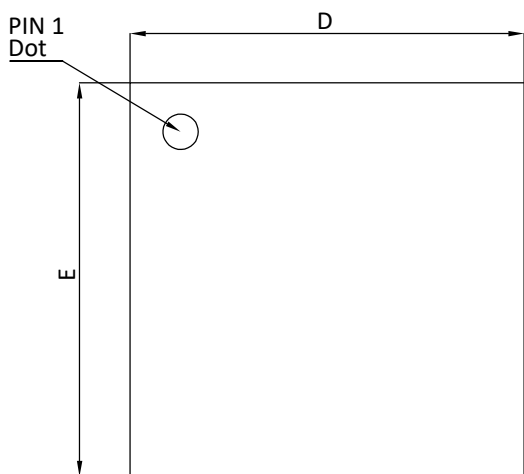
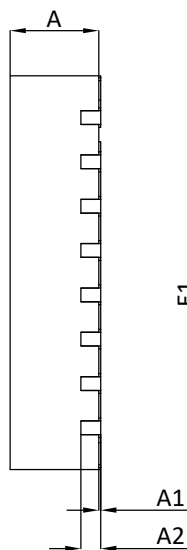


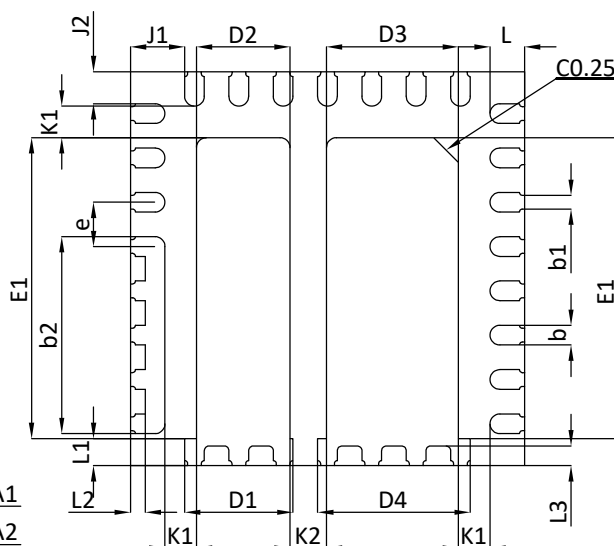
QFN4x4_30L_EP2_S PACKAGE OUTLINE



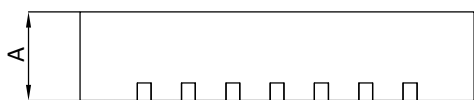
TOP VIEW



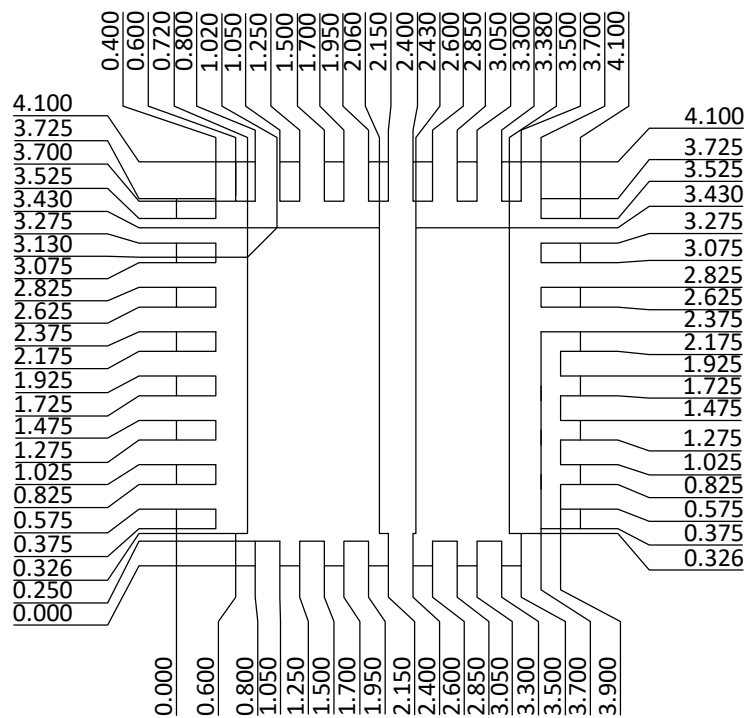
SIDE VIEW



BOTTOM VIEW



SIDE VIEW



RECOMMENDED LAND PATTERN

SYMBOLS	DIM. IN MM			DIM. IN INCH		
	MIN.	NOM.	MAX.	MIN.	NOM.	MAX.
A	0.80	0.90	1.00	0.031	0.035	0.039
A1	0.00	---	0.05	0.000	---	0.002
A2	0.20 REF			0.008 REF		
D	3.90	4.00	4.10	0.154	0.157	0.161
D1	1.05	1.10	1.15	0.041	0.043	0.045
D2	0.90	0.95	1.00	0.035	0.037	0.039
D3	1.29	1.34	1.39	0.051	0.053	0.055
D4	1.50	1.55	1.60	0.059	0.061	0.063
E	3.90	4.00	4.10	0.154	0.157	0.161
E1	2.95	3.05	3.15	0.116	0.120	0.124
L	0.30	0.35	0.40	0.012	0.014	0.016
L1	0.23	0.28	0.33	0.009	0.011	0.013
L2	0.15 REF			0.006 REF		
L3	0.20 REF			0.008 REF		
J1	0.50	0.55	0.60	0.020	0.022	0.024
J2	0.28	0.33	0.38	0.011	0.013	0.015
K1	0.27	0.32	0.37	0.011	0.013	0.015
K2	0.32	0.37	0.42	0.013	0.015	0.017
b	0.15	0.20	0.25	0.006	0.008	0.010
b1	0.09	0.14	0.19	0.004	0.006	0.007
b2	1.95	2.00	2.05	0.077	0.079	0.081
e	0.45 BSC			0.018 BSC		

NOTE:

- CONTROLLED DIMENSIONS ARE IN MILLIMETERS. DIMENSIONS IN INCHES ARE CONVERTED AS REFERENCE ONLY.