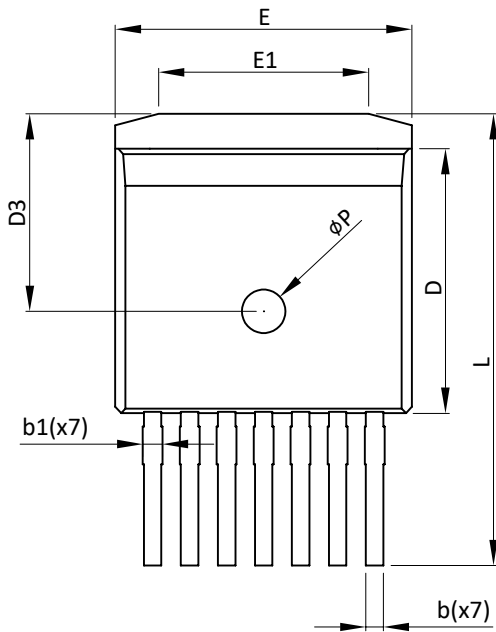
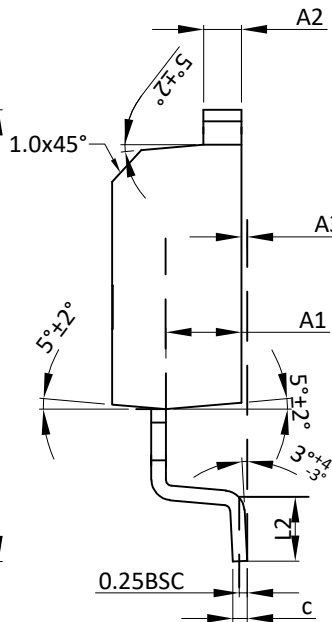


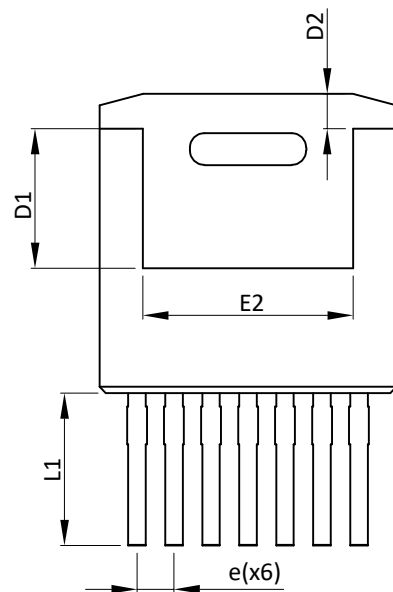
TO263_7L PACKAGE OUTLINE



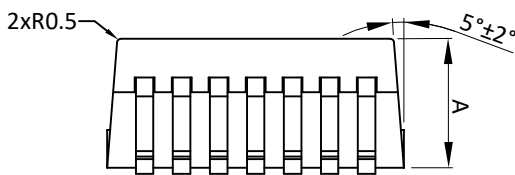
TOP VIEW



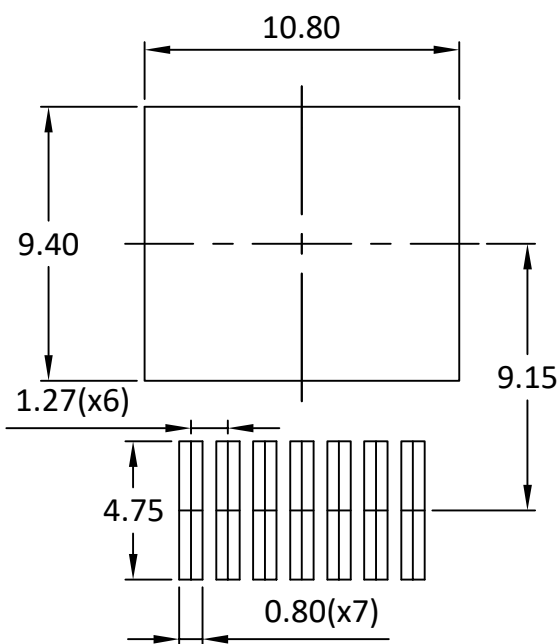
SIDE VIEW



BOTTOM VIEW



SIDE VIEW



RECOMMENDED LAND PATTERN

SYMBOLS	DIM. IN MM			DIM. IN INCH		
	MIN.	NOM.	MAX.	MIN.	NOM.	MAX.
A	4.30	4.43	4.56	0.169	0.174	0.180
A1	2.45	2.60	2.75	0.096	0.102	0.108
A2	1.20	1.30	1.40	0.047	0.051	0.055
A3	0.00	0.13	0.25	0.000	0.005	0.010
b	0.50	0.60	0.70	0.020	0.024	0.028
b1	0.60	0.70	0.90	0.024	0.028	0.035
c	0.45	0.50	0.60	0.018	0.020	0.024
D	8.93	9.08	9.23	0.352	0.357	0.363
D1	4.65	4.80	4.95	0.183	0.189	0.195
D2	0.98	1.20	1.42	0.039	0.047	0.056
D3	6.48	6.78	7.08	0.255	0.267	0.279
E	10.08	10.18	10.28	0.397	0.401	0.405
E1	6.50	7.00	7.50	0.256	0.276	0.295
E2	6.92	7.22	7.52	0.272	0.284	0.296
e	1.27BSC			0.05BSC		
L	15.00	15.50	16.00	0.591	0.610	0.630
L1	5.09	5.22	5.33	0.200	0.206	0.210
L2	1.90	2.20	2.50	0.075	0.087	0.098
P	1.40	1.50	1.60	0.055	0.059	0.063

NOTE:

1. CONTROLLING DIMENSION IS MILLIMETER. CONVERTED INCH DIMENSIONS ARE NOT NECESSARILY EXACT.
2. DOTTED OUTLINE IS GUIDELINE TO BE COMPATIBLE WITH INDUSTRY COMMON LAYOUT BUT NOT RECOMMENDED BY AOS.