



AOZ2221QI/AOZ2223QI – 36V, 4A/8A Constant On-Time Buck Converters

AOS releases the latest Constant On-Time Buck Converters - AOZ2221QI and AOZ2223QI which support up to 36V high-voltage input and 4A/8A output capability with a 0.8V to 16V output voltage range. Ideal for factory automation, industrial computing modules, all-in-one systems, POS machines, consumer and commercial printer applications. AOZ2221QI and AOZ2223QI deliver fast transient response in QFN4x4 for compact system design.



36V, 4A/8A
Constant
On-Time Buck
Converters

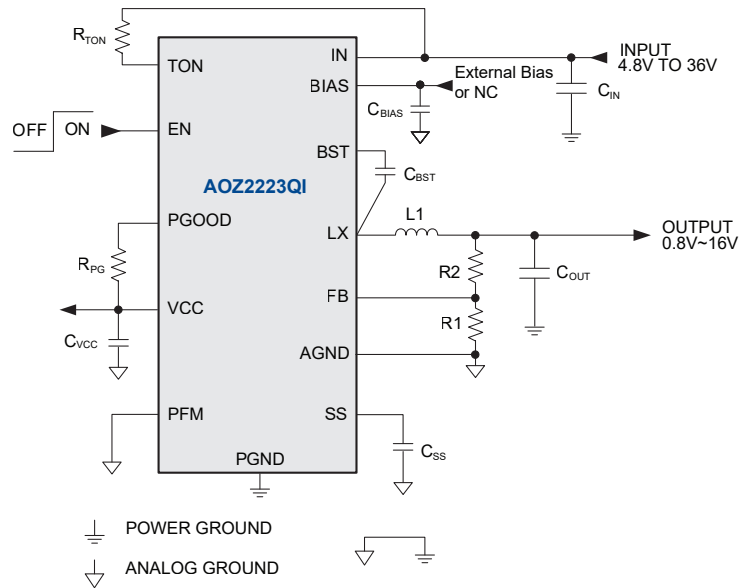


Features

- Wide input voltage range: 4.8V to 36V
- 4A/8A continuous output current
- Output voltage adjustable from 0.8V to 16V
- Low $R_{DS(ON)}$ internal NFETs
- Adjustable soft start
- Power Good output
- Ceramic capacitor stable
- OCP/OVP/SCP
- Thermal shutdown
- Thermally enhanced 23 pin QFN4x4

Applications

- General purpose wide V_{IN} applications
- Industrial distributed power applications
- 12V and 24V industrial and communications power systems
- USB dedicated charging ports
- Industrial automation and motor control
- Point of load DC/DC converters



AOS SALES OFFICES

UNITED STATES

475 Oakmead Pkwy
Sunnyvale, CA 94085
Phone: +1 (408) 830-9742
Email: Inquiries@aosmd.com

EUROPE

Phone: +49 7941 9039988
Email: AOSEurope@aosmd.com

JAPAN

5F, Yurakucho Building
1-10-1 Yurakucho
Chiyoda-ku
Tokyo 102-0083
Phone: +81 (3) 6826-1401
Email: AOSJapan@aosmd.com

SOUTH KOREA

10th Floor, Bandi Building
Bongeunsa-ro 114
Gangnam-gu
Seoul 135-907
Phone: +82 (2) 557-8501
Email: AOSKorea@aosmd.com

TAIWAN

9/F, No. 292 Yangguang Street
Neihu District
Taipei City 11491
Phone: +886 (2) 8751-5616
Email: AOSTaiwan@aosmd.com

HONG KONG

Room 701, Tesbury Center
28 Queen's Road East
Wanchai
Phone: +86 (755) 8351-7733
Email: AOSChina@aosmd.com

CHINA

SHENZHEN

East 8/F, Matsunichi Building
#9996 Shennan Blvd.
Shenzhen 518057
Phone: +86 (755) 8351-7733
Email: AOSChina@aosmd.com

SHANGHAI

Room 602-603
Central Park Jing'an
329 Hengfeng Road
Jing'an District
Shanghai 200070
Phone: +86 (21) 6353-3218
Email: AOSChina@aosmd.com

To contact any of our sales partners worldwide, please visit our website at: www.aosmd.com/contact

Alpha and Omega Semiconductor Limited, or AOS, is a designer, developer and global supplier of a broad range of discrete power devices, wide band gap power devices, power management ICs and modules. AOS's products are aimed at, but not limited to applications such as portable computers, flat panel TVs, LED lighting, smart phones, battery backs, consumer and industrial motor controls, automotive electronics, and power supplies for TVs, computers, servers and telecommunication equipment.



Powering a Greener Future™