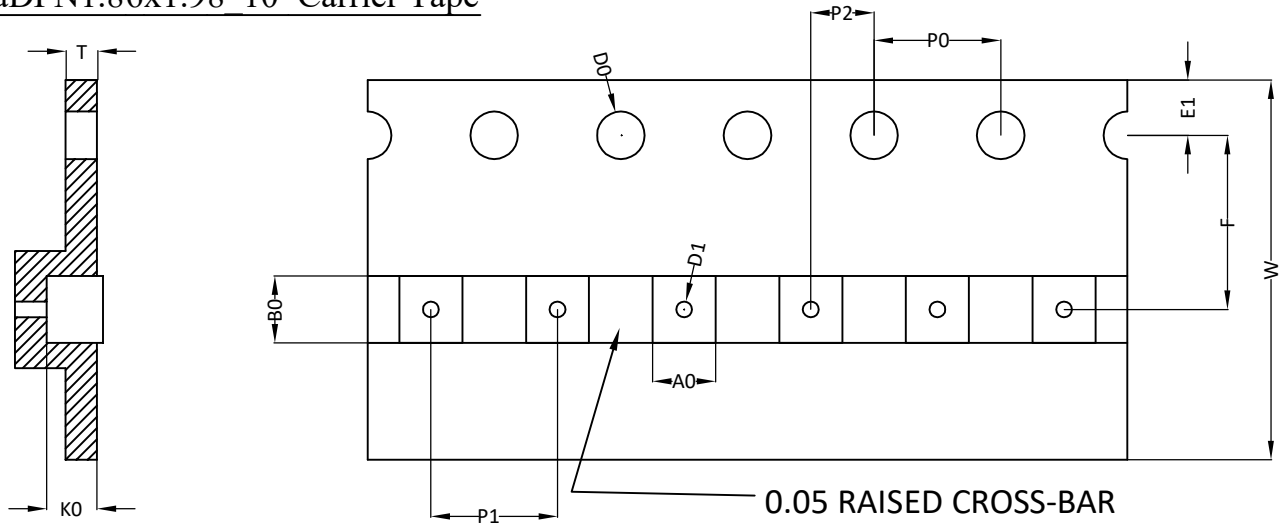


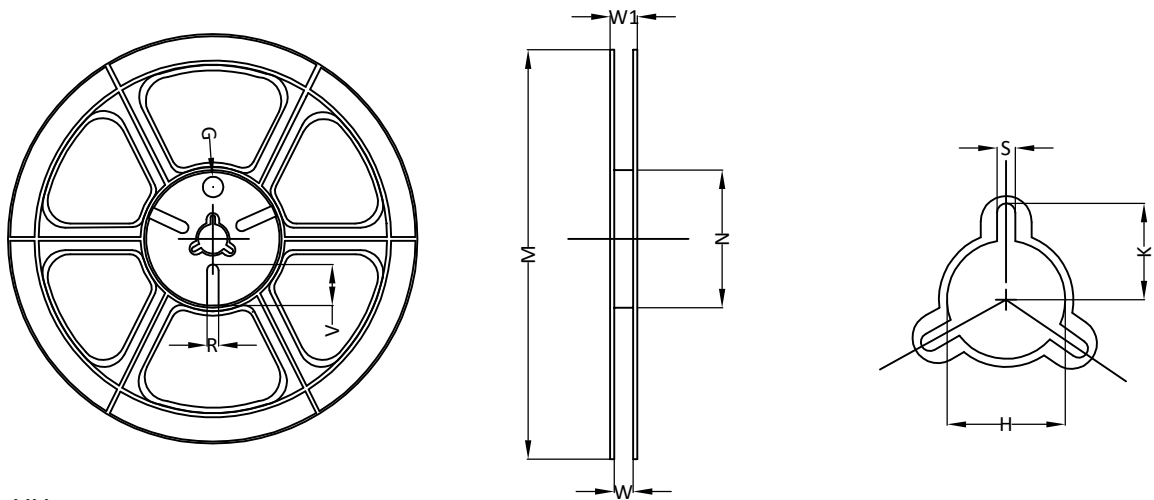
### AlphaDFN1.86x1.98 10 Carrier Tape



UNIT: MM

| PACKAGE              | A0            | B0            | K0            | D0                     | D1            | W                      | E1            | F             | P0            | P1            | P2            | T             |
|----------------------|---------------|---------------|---------------|------------------------|---------------|------------------------|---------------|---------------|---------------|---------------|---------------|---------------|
| AlphaDFN1.86x1.98_10 | 1.99<br>±0.05 | 2.11<br>±0.05 | 0.27<br>±0.05 | 1.50<br>+0.10<br>-0.00 | 0.50<br>±0.05 | 8.00<br>+0.30<br>-0.10 | 1.75<br>±0.10 | 3.50<br>±0.05 | 4.00<br>±0.10 | 4.00<br>±0.10 | 2.00<br>±0.05 | 0.20<br>±0.02 |

### AlphaDFN1.86x1.98 10 Reel



UNIT: MM

| TAPE SIZE | REEL SIZE | M                | N               | W             | W1             | H                        | K     | S             | G     | R    | V     |
|-----------|-----------|------------------|-----------------|---------------|----------------|--------------------------|-------|---------------|-------|------|-------|
| 8 mm      | ∅178      | ∅178.00<br>±1.00 | ∅54.00<br>±0.50 | 9.00<br>±0.30 | 11.40<br>±1.00 | ∅13.00<br>+0.50<br>-0.20 | 10.60 | 2.00<br>±0.50 | ∅9.00 | 5.00 | 18.00 |

### AlphaDFN1.86x1.98 10 Tape

Leader / Trailer  
& Orientation

Unit Per Reel:  
8000pcs

