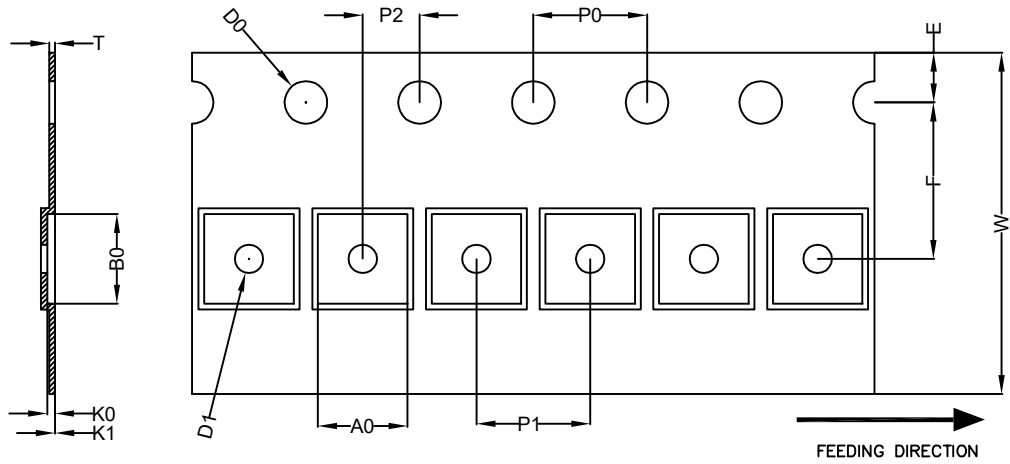
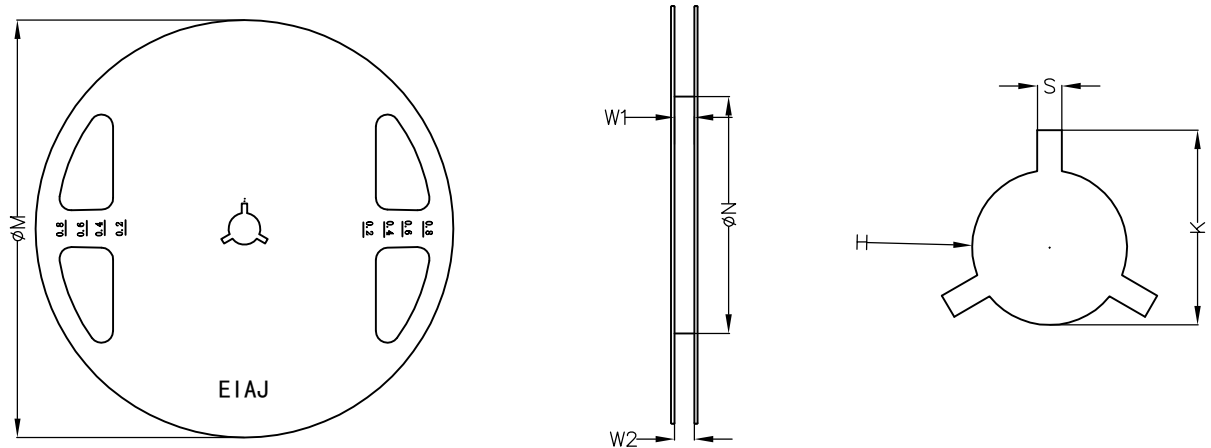


AlphaDFN3.03x3.03 14 Carrier Tape


UNIT: MM

A0	B0	K0	D0	D1	W	E	F	P0	P1	P2	T	K1
3.15	3.15	0.27	1.50	1.00	12.00	1.75	5.50	4.00	4.00	2.00	0.20	0.06
±0.03	±0.03	±0.03	+0.10 -0.00	+0.10 -0.00	+0.30 -0.10	±0.10	±0.05	±0.10	±0.10	±0.05	±0.05	+0.04 -0.03

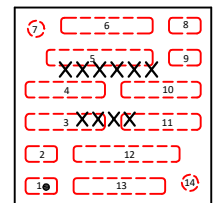
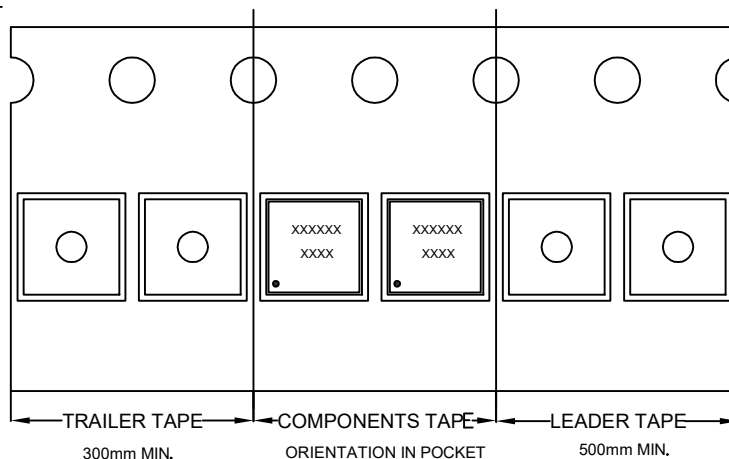
AlphaDFN3.03x3.03 14 Reel


UNIT: MM

TAPE SIZE	REEL SIZE	M	N	W1	W2	H	S	K
12	Ø178	Ø178.0 ±2.0	Ø101.0 ±1.0	12.4 Min.	15.4 Max.	Ø13.2 ±0.30	2.20 ±0.30	17.50 ±0.3

AlphaDFN3.03x3.03 14 Tape

 Leader / Trailer
 & Orientation

 Unit Per Reel:
 5000pcs

 1,2,3,4,5,6 Source1 (FET1)
 7 Gate1 (FET1)
 8,9,10,11,12,13 Source2 (FET2)
 14 Gate2 (FET2)

 DETAIL:
 UNIT ORIENTATION
 IN POCKET