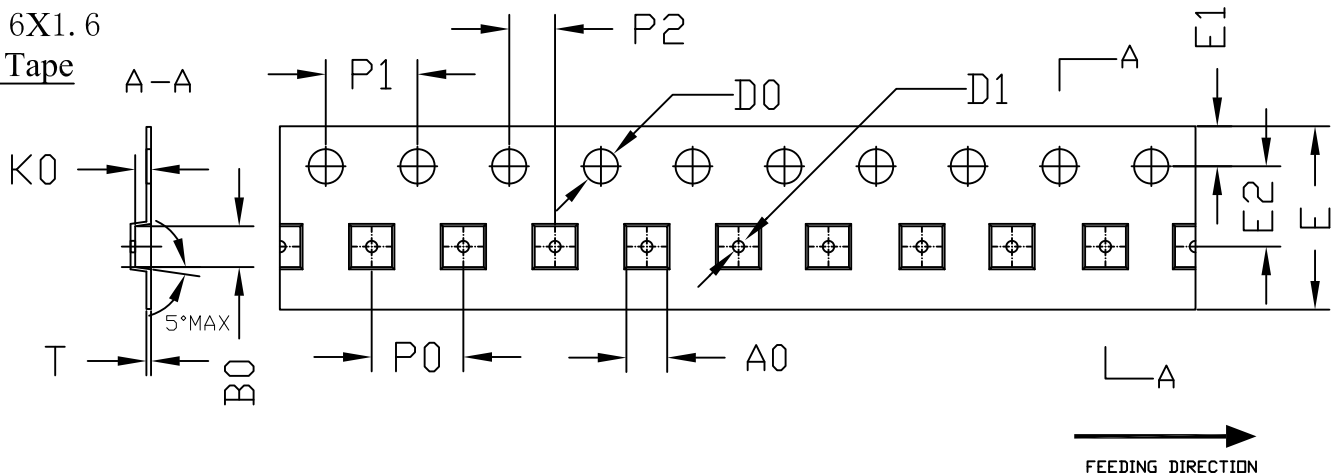




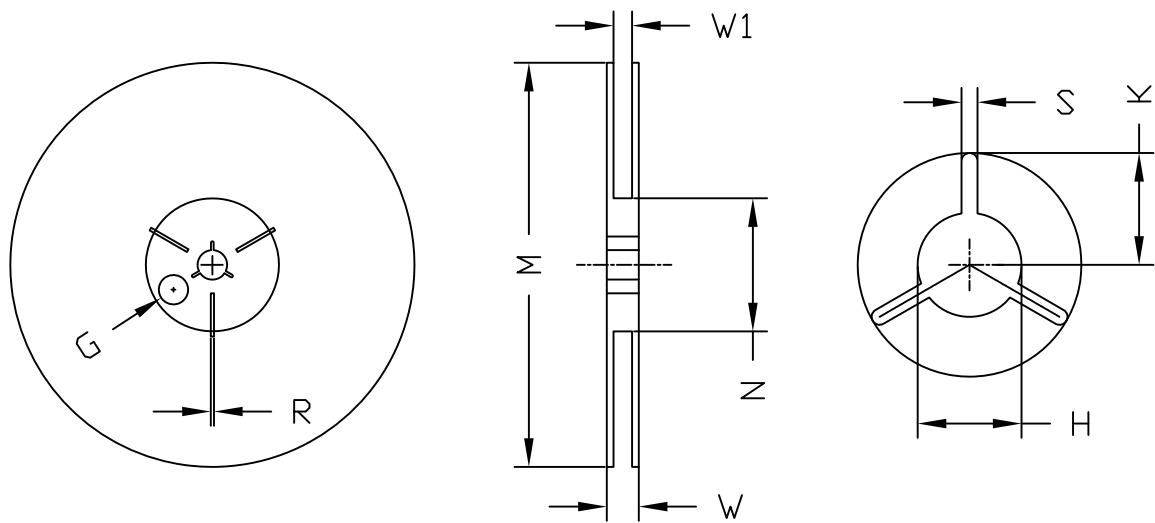
**DFN 1.6X1.6**  
**Carrier Tape**



UNIT: MM

PACKAGE	A0	B0	K0	D0	D1	E	E1	E2	P0	P1	P2	T
DFN 1.6X1.6	1.78 ±0.05	1.78 ±0.05	0.69 ±0.05	∅1.50 ±0.10	∅0.50 ±0.05	8.00 <sup>+0.30</sup> <sub>-0.10</sub>	1.75 ±0.10	3.50 ±0.05	4.00 ±0.10	4.00 ±0.10	2.00 ±0.05	0.200 ±0.02

**DFN 1.6X1.6**  
**REEL**



UNIT: MM

TAPE SIZE	REEL SIZE	M	N	W	W1	H	S	K	G	R
8	∅178	∅178.0 ±1.0	∅60.0 ±1.0	11.80 ±0.5	9.0 ±0.5	∅13.0 <sup>+0.5</sup> <sub>-0.2</sub>	2.40 ±0.10	10.25 ±0.2	∅9.8	---

**DFN 1.6X1.6 TAPE**

Leader / Trailer  
& Orientation

Unit Per Reel:  
3000pcs

