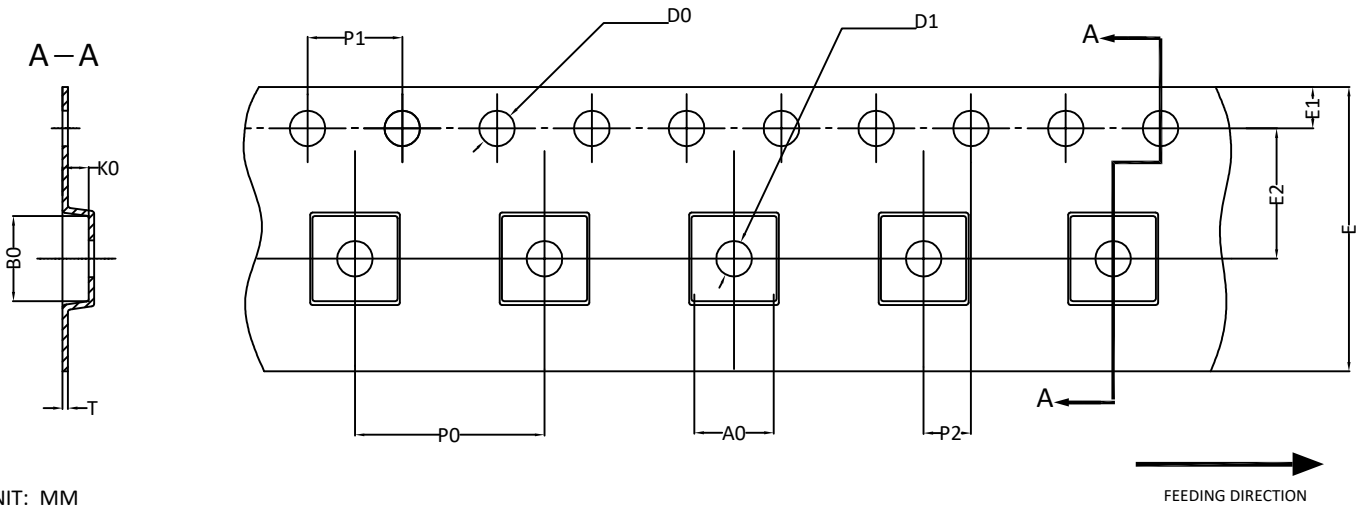
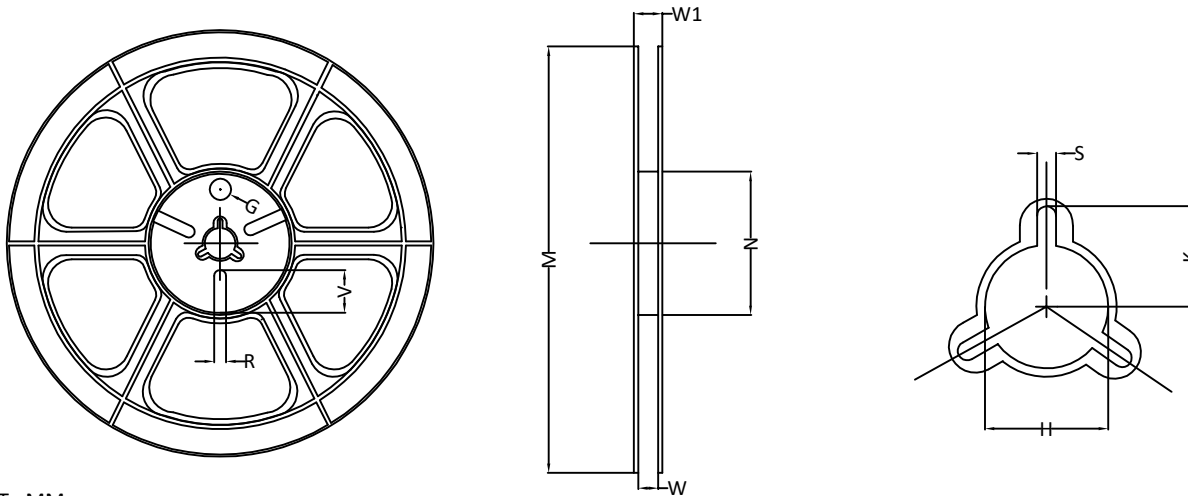


DFN3.3x3.3(EP) Carrier Tape


UNIT: MM

PACKAGE	A0	B0	K0	D0	D1	E	E1	E2	P0	P1	P2	T
DFN3.3x3.3	3.60 ±0.10	3.60 ±0.10	1.05 ±0.10	1.50 +0.10 -0	1.50 +0.10 -0	12.00 ±0.30	1.75 ±0.10	5.50 ±0.05	8.00 ±0.10	4.00 ±0.10	2.00 ±0.05	0.30 ±0.05

DFN3.3x3.3(EP) Reel


UNIT: MM

TAPE SIZE	REEL SIZE	M	N	W	W1	H	K	S	G	R	V
12 mm	Ø330	Ø330.00 ±0.50	Ø97.00 ±0.10	13.00 ±0.30	17.40 ±1.00	Ø13.00 +0.50 -0.20	10.60	2.00 ±0.50	---	---	---

DFN3.3x3.3(EP) Tape

 Leader / Trailer
 & Orientation

 Unit Per Reel:
 3000pcs
