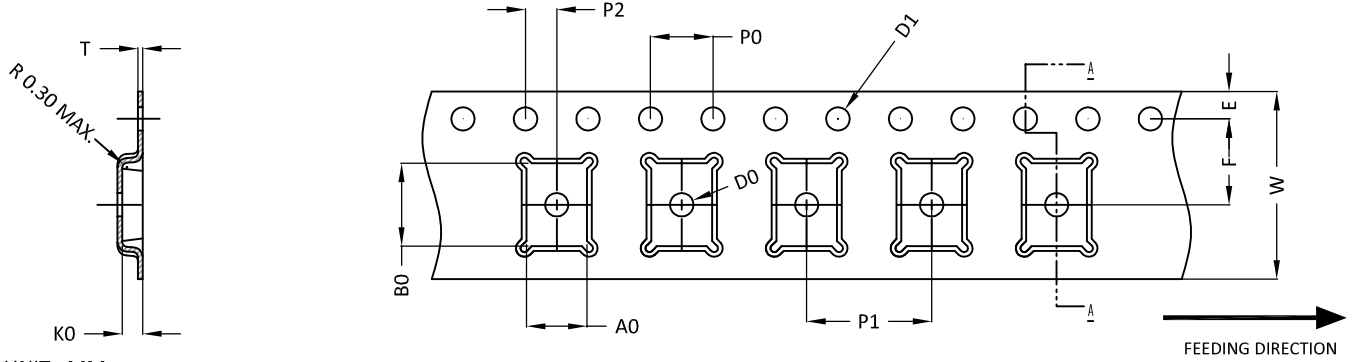




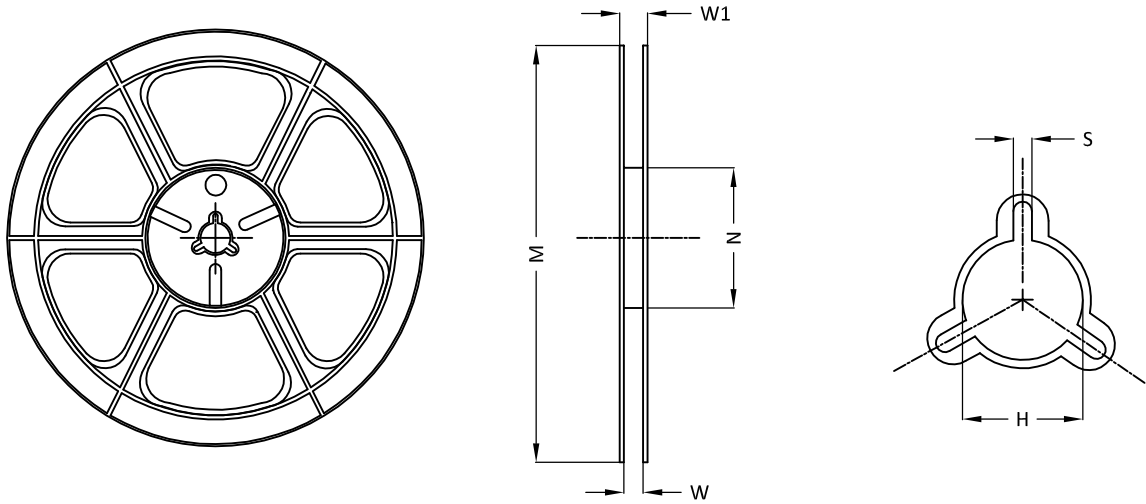
DFN3.5x5\_8L\_EP2\_S Carrier Tape



UNIT: MM

PACKAGE	A0	B0	K0	D0	D1	W	E	F	P1	P0	P2	T
DFN3.5x5 (12 mm)	3.89 ±0.10	5.31 ±0.10	1.30 ±0.10	1.50 MIN.	1.50 <sup>+0.10</sup> <sub>0.00</sub>	12.00 ±0.30	1.75 ±0.10	5.50 ±0.05	8.00 ±0.10	4.00 ±0.10	2.00 ±0.05	0.30 ±0.05

DFN3.5x5\_8L\_EP2\_S REEL



UNIT: MM

TAPE SIZE	REEL SIZE	M	N	W	W1	H	S
12 mm	∅330	∅330.00 ±2.00	∅101.6 ±2.00	12.40 <sup>+2.00</sup> <sub>-0.00</sub>	12.40 <sup>+3.00</sup> <sub>-0.20</sub>	∅13.20 ±0.30	1.70-2.60

DFN3.5x5\_8L\_EP2\_S TAPE

Leader / Trailer  
& Orientation

Unit Per Reel:  
5000pcs

