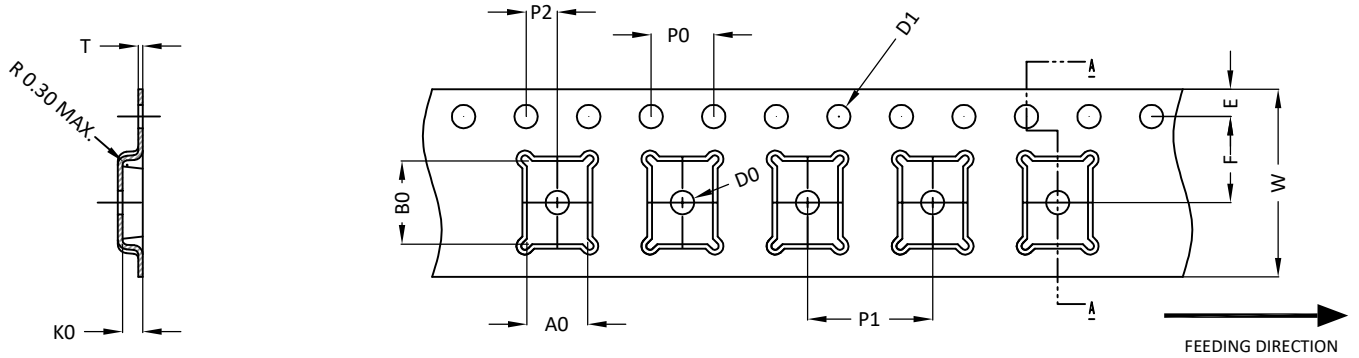
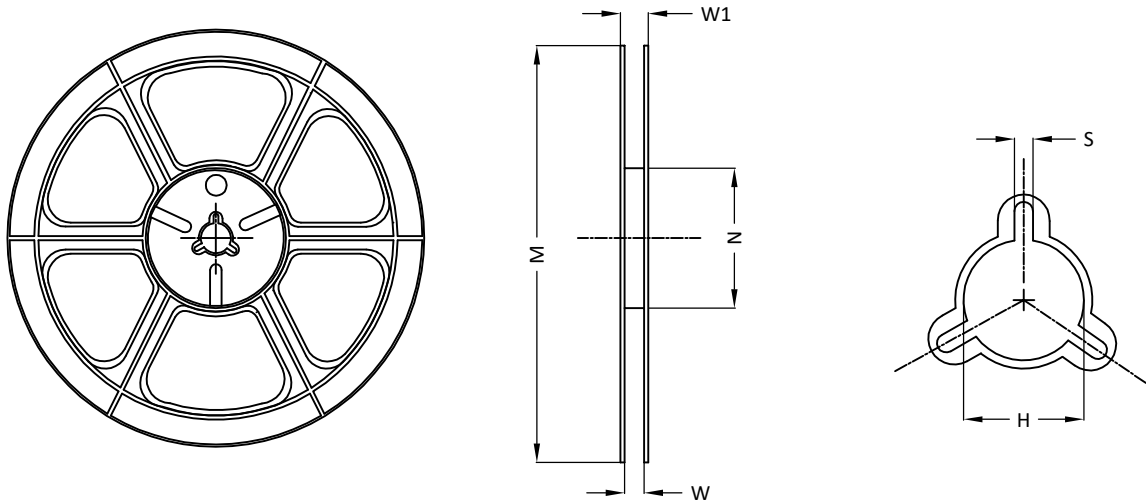


DFN3.5x5_8L_EP2_S Carrier Tape


UNIT: MM

PACKAGE	A0	B0	K0	D0	D1	W	E	F	P1	P0	P2	T
DFN3.5x5 (12 mm)	3.89 ±0.10	5.31 ±0.10	1.30 ±0.10	1.50 MIN.	1.50 ^{+0.10} _{0.00}	12.00 ±0.30	1.75 ±0.10	5.50 ±0.05	8.00 ±0.10	4.00 ±0.10	2.00 ±0.05	0.30 ±0.05

DFN3.5x5_8L_EP2_S Reel


UNIT: MM

TAPE SIZE	REEL SIZE	M	N	W	W1	H	S
12 mm	∅330	∅330.00 ±2.00	∅101.6 ±2.00	12.40 ^{+2.00} _{-0.00}	12.40 ^{+3.00} _{-0.20}	∅13.20 ±0.30	1.70-2.60

DFN3.5x5_8L_EP2_S Tape
**Leader / Trailer
& Orientation**

 Unit Per Reel:
 5000pcs
