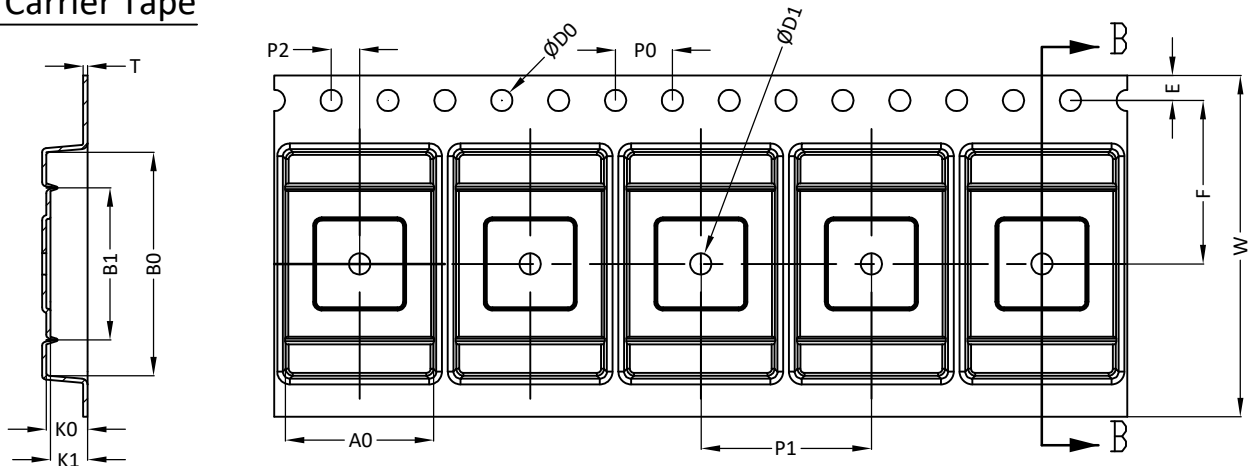




GTPAK Carrier Tape

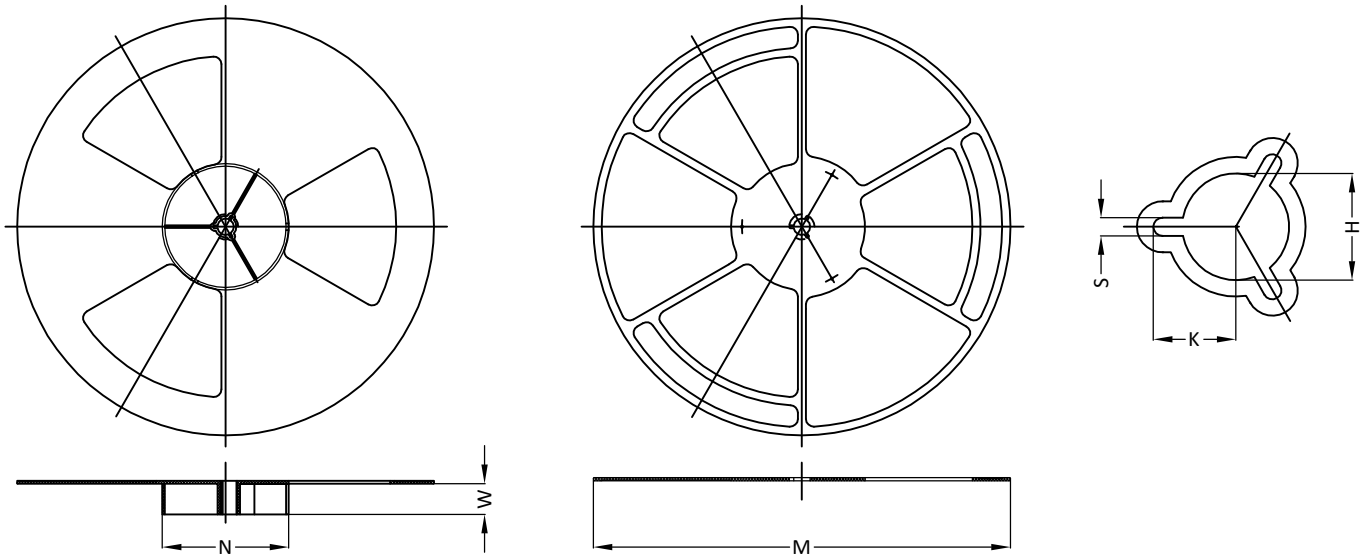


SECTION B-B

UNIT: MM

A0	B0	B1	K0	K1	D0	D1	W	E	F	P0	P1	P2	T
10.40	15.70	10.70	2.90	2.60	1.50	1.50	24.00	1.75	11.50	4.00	12.00	2.00	0.30
±0.10	±0.10	±0.10	±0.10	±0.10	+0.10 -0.00	+0.10 -0.00	+0.30 -0.10	±0.10	±0.10	±0.10	±0.10	±0.10	±0.05

GTPAK Reel



UNIT: MM

TAPE SIZE	REEL SIZE	M	N	W	H	K	S
24 mm	Ø330	Ø330.00 +0.25 -4.00	Ø100.00 ±0.2	24.4 +2.0 -0.0	Ø13.00 +0.50 -0.20	10.5 ±0.25	2.2 ±0.25

GTPAK Tape

Leader / Trailer & Orientation

Unit Per Reel:
1800pcs

