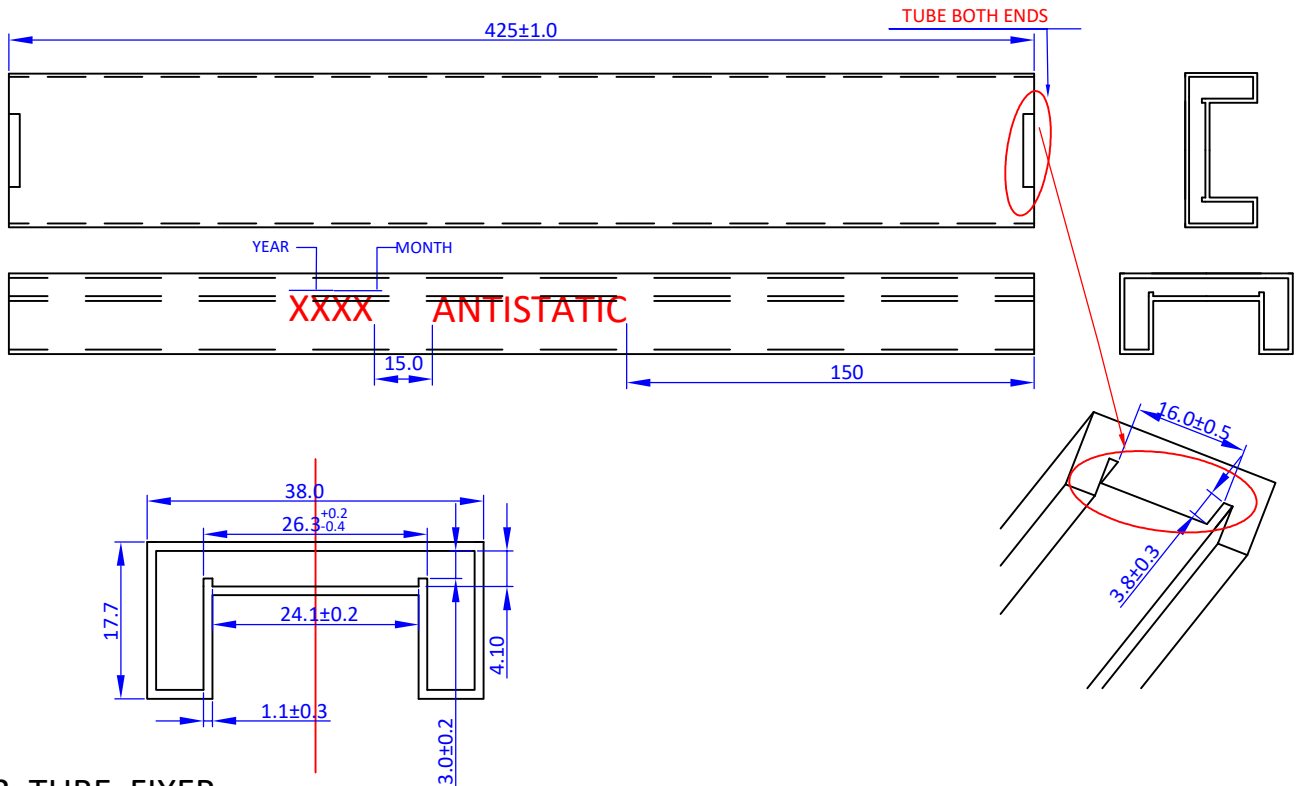
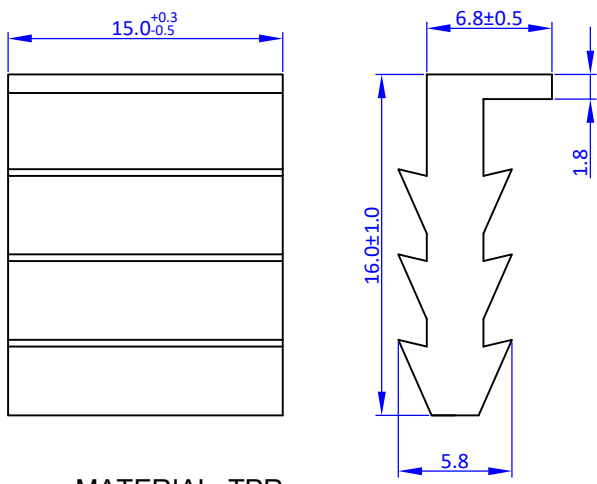




**IPM-3 TUBE**



**IPM-3 TUBE FIXER**



MATERIAL: TPR  
COLOR: WHITE  
TOLERANCE: ±0.30

**NOTE**

1. TUBE
  - MATERIAL :TRANS RIGID P.V.C
  - ANTISTATIC TREATED
  - COLOR : CLEAR
2. ALL DIMENSION : MILLIMETER UNLESS OTHERWISE SPECIFIED
3. ALL UNSPECIFICATED SPECIFICATIONS FOLLOW TUBE GENERAL SPEC. UNSPECIFICATED TOLERANCE ±0.30
4. ENTIRE TUBE MUST MEET ANTISTATIC TEST CRITERIA PER MIL-STD-81705B AND ASTM-D257

5. PACKING Q'TY :

PKG	Q'TY(PCS)
IPM-3	10