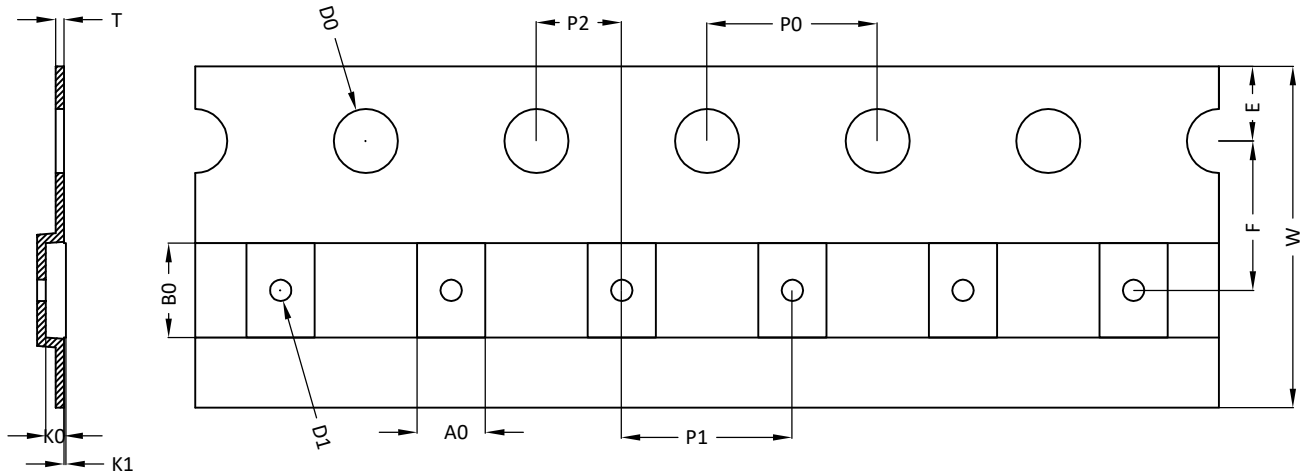
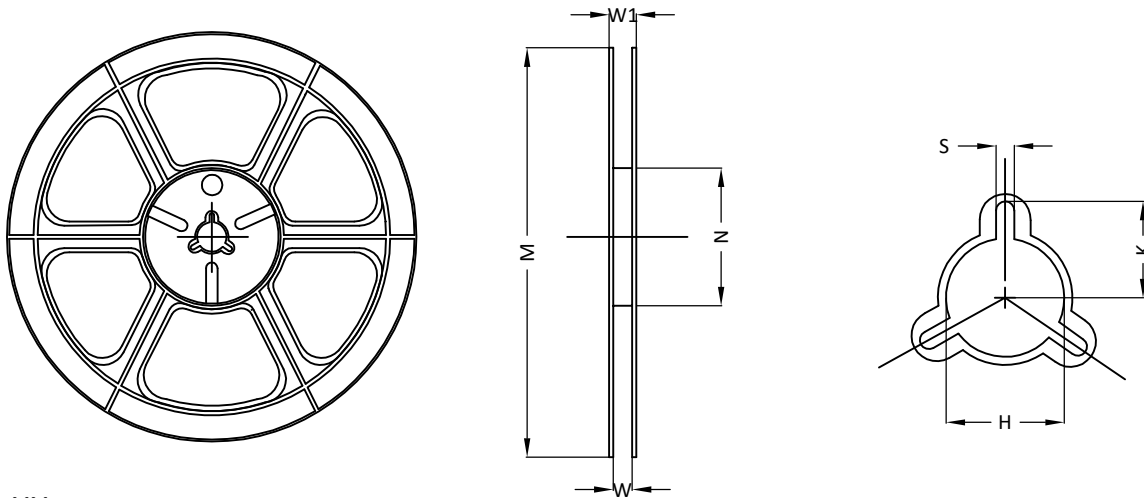


MRigidCSP2.08x1.45(A)_10 Carrier Tape


UNIT: MM

A0	B0	K0	D0	D1	W	E	F	P0	P1	P2	T	K1
1.60	2.21	0.43	1.50	0.50	8.00	1.75	3.50	4.00	4.00	2.00	0.20	0.04
±0.05	±0.05	±0.05	+0.10 -0.00	+0.10 -0.00	+0.30 -0.10	±0.10	±0.05	±0.10	±0.10	±0.05	±0.05	+0.04 -0.03

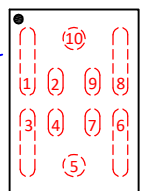
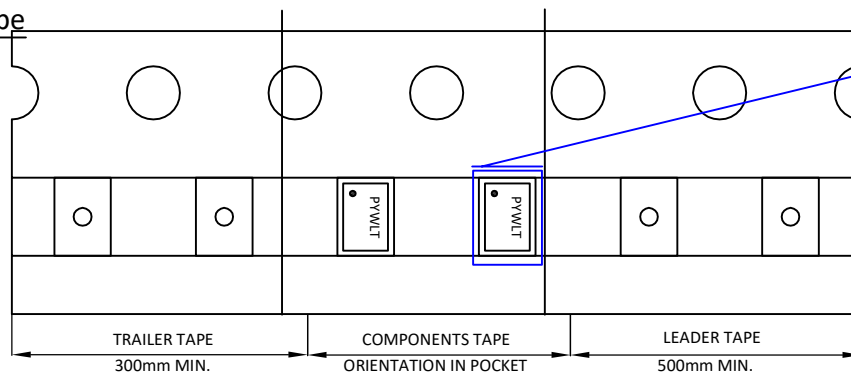
MRigidCSP2.08x1.45(A)_10 Reel


UNIT: MM

TAPE SIZE	REEL SIZE	M	N	W	W1	H	K	S
8 mm	Ø178	Ø178.00 ±1.00	Ø54.00 ±0.50	9.00 ±0.30	11.40 ±1.00	Ø13.00 +0.50 -0.20	10.60	2.00 ±0.50

MRigidCSP2.08x1.45(A)_10 Tape

 Leader / Trailer
 & Orientation

 Unit Per Reel:
 6000pcs

 1,2,3,4 Source1(FET1)
 5 Gate1(FET1)
 6,7,8,9 Source2(FET2)
 10 Gate2(FET2)
 DETAIL:
 UNIT ORIENTATION
 IN POCKET