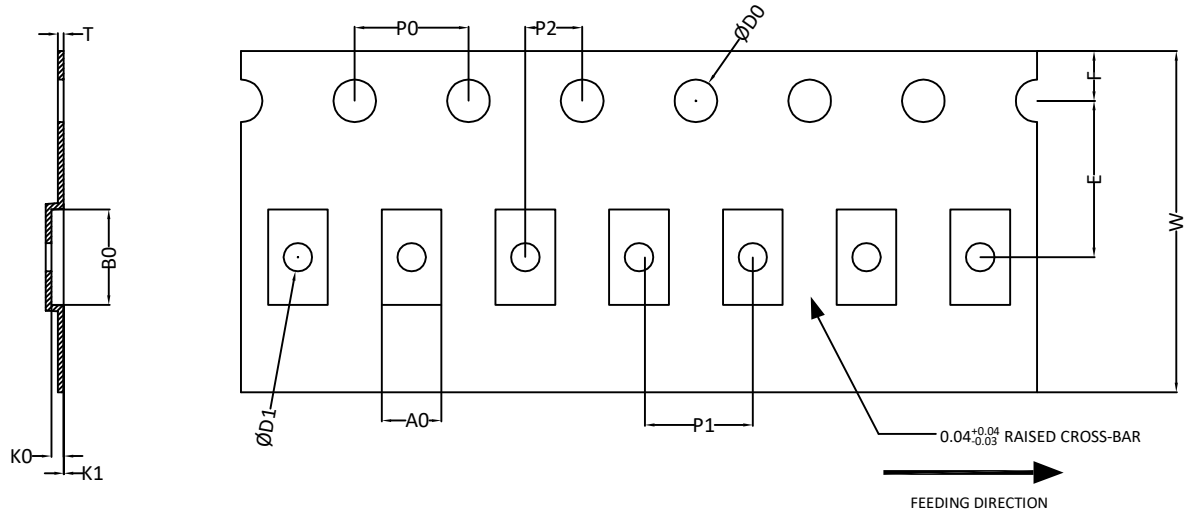




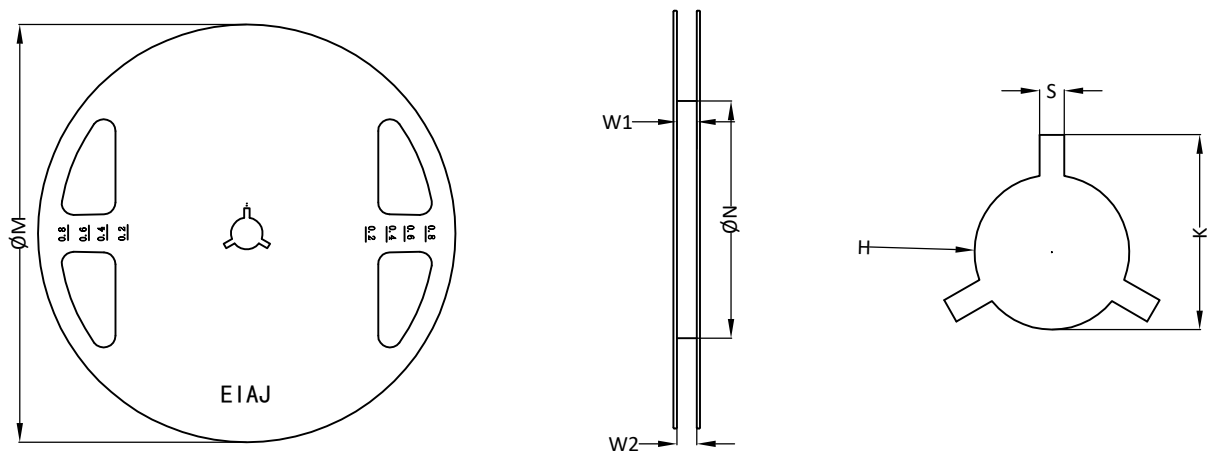
**MRigidCSP3.2x1.95\_10 Carrier Tape**



UNIT: MM

A0	B0	K0	D0	D1	W	F	E	P0	P1	P2	T	K1
2.10 ±0.05	3.35 ±0.05	0.43 ±0.05	1.50 ±0.10	1.00 ±0.05	12.00 +0.30 -0.10	1.75 ±0.10	5.50 ±0.05	4.00 ±0.10	4.00 ±0.10	2.00 ±0.05	0.20 ±0.02	0.04 +0.04 -0.03

**MRigidCSP3.2x1.95\_10 REEL**



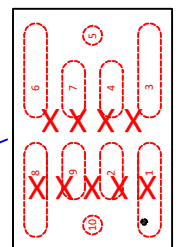
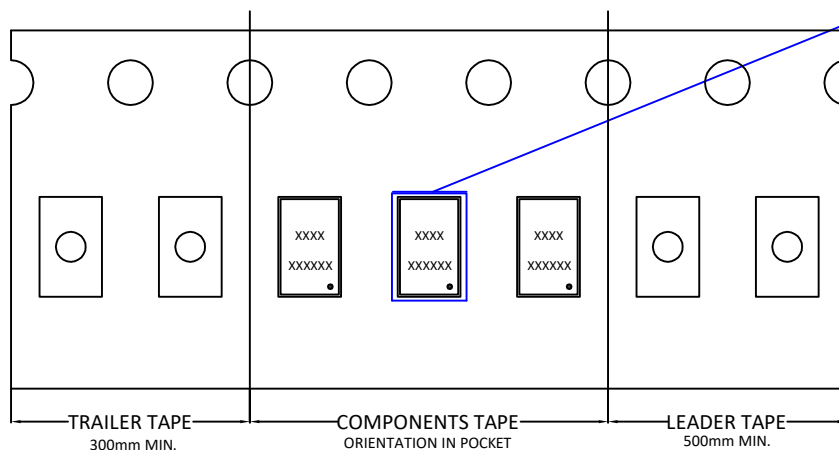
UNIT: MM

TAPE SIZE	REEL SIZE	M	N	W1	W2	H	S	K
12	Ø178	Ø178.0 ±2.0	Ø101.0 ±1.0	12.4 Min.	15.4 Max.	Ø13.2 ±0.30	2.20 ±0.30	17.50 ±0.3

**MRigidCSP3.2x1.95\_10 TAPE**

Leader / Trailer  
& Orientation

Unit Per Reel:  
3000pcs



1,2,3,4 Source1 (FET1)  
5 Gate1 (FET1)  
6,7,8,9 Source2 (FET2)  
10 Gate2 (FET2)

DETAIL:  
UNIT ORIENTATION  
IN POCKET