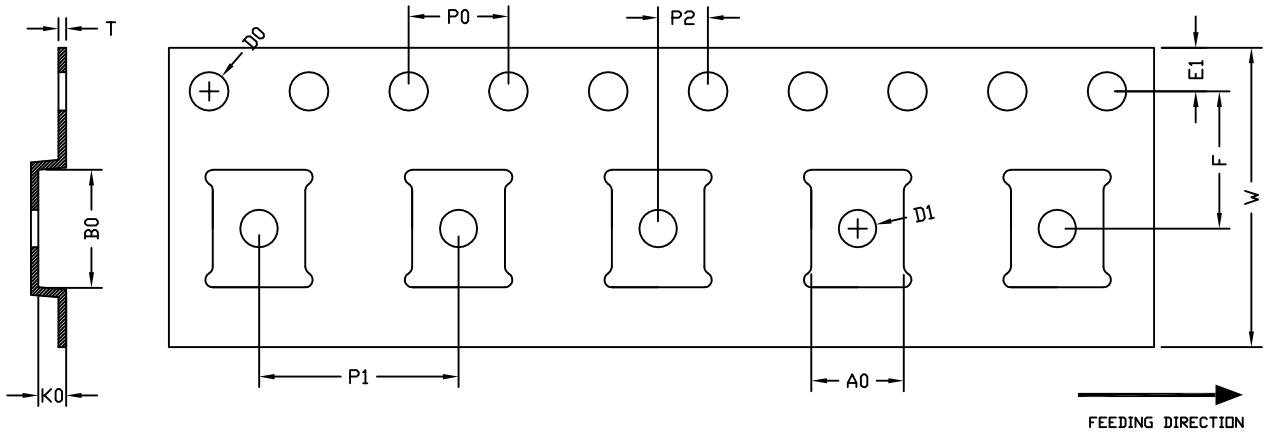




**QFN4.5x3.5\_24L\_EP3\_S/QFN**  
**4.5x3.5\_22L\_EP3\_S Tape and**  
**Reel Data**

QFN4.5x3.5 24L EP3 S/QFN4.5x3.5 22L EP3 S Carrier Tape

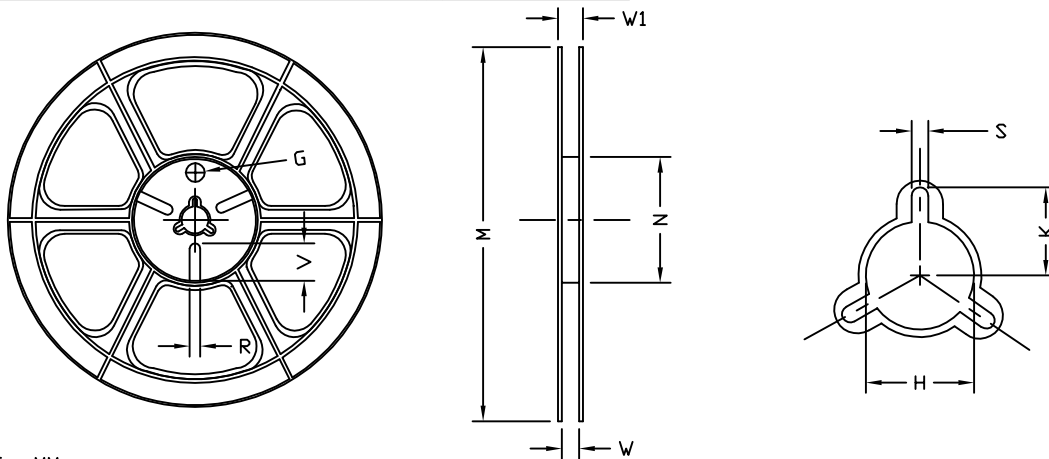
**Reel Data**



UNIT: MM

PACKAGE	A0	B0	K0	D0	D1	W	E1	F	P0	P1	P2	T
QFN4.5x3.5	3.71 ±0.10	4.71 ±0.10	1.11 ±0.10	1.55 ±0.05	1.50 Min.	12.00 ±0.30	1.75 ±0.10	5.50 ±0.10	4.00 ±0.10	8.00 ±0.10	2.00 ±0.10	0.30 ±0.05

QFN4.5x3.5 24L EP3 S/QFN4.5x3.5 22L EP3 S Reel



UNIT: MM

TAPE SIZE	REEL SIZE	M	N	W	W1	H	K	S	G	R	V
12 mm	ø330	ø330.00 ±0.50	ø97.00 ±0.10	13.00 ±0.30	17.40 ±1.00	ø13.00 +0.50 -0.20	10.60	2.00 ±0.50	---	---	---

QFN4.5x3.5 24L EP3/QFN4.5x3.5 22L EP3 S S Package Tape

Leader / Trailer  
& Orientation

Unit Per Reel:  
5000pcs

