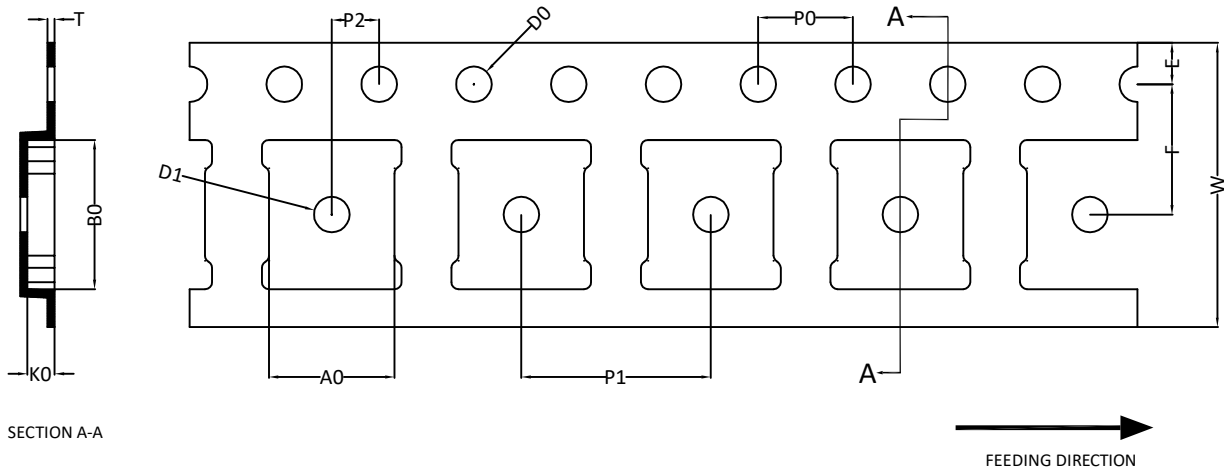




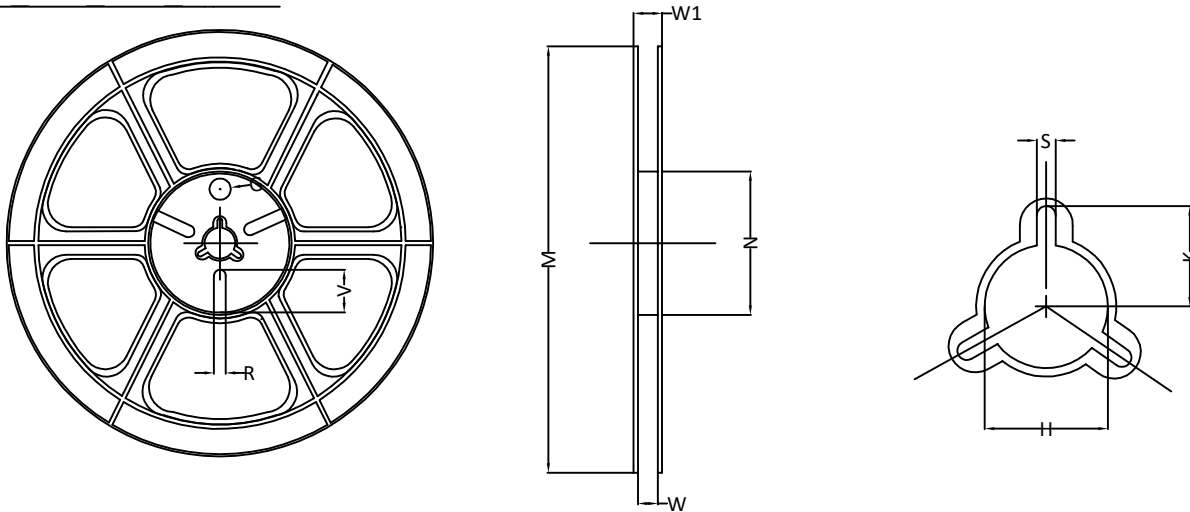
QFN5x6 39L EP3 S Carrier Tape



UNIT: MM

PACKAGE	A0	B0	K0	D0	D1	W	E	F	P0	P1	P2	T
QFN5x6	5.30 ±0.10	6.30 ±0.10	1.15 ±0.10	Ø1.50 +0.10 -0.00	Ø1.50 +0.20 -0.00	12.00 +0.30 -0.10	1.75 ±0.10	5.50 ±0.05	4.00 ±0.10	8.00 ±0.10	2.00 ±0.05	0.30 ±0.03

QFN5x6 39L EP3 S Reel



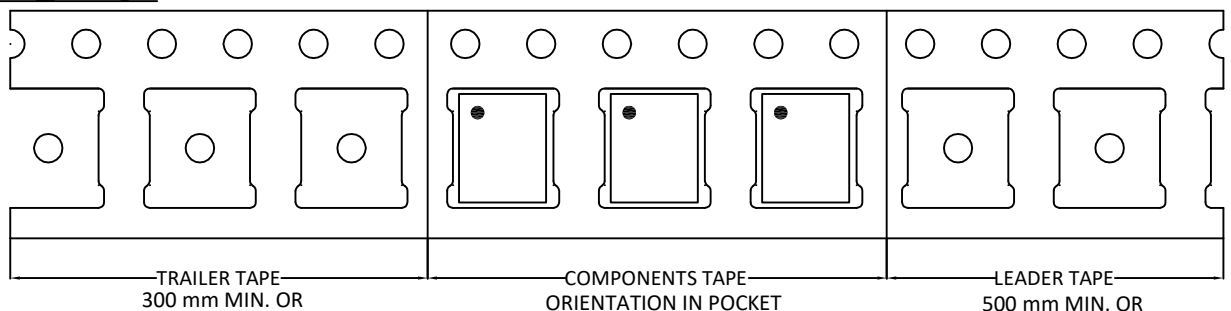
UNIT: MM

TAPE SIZE	REEL SIZE	M	N	W	W1	H	K	S	G	R	V
12 mm	Ø330	Ø330 ±0.50	Ø97.00 ±0.10	13.0 ±0.30	17.40 ±1.00	Ø13.0 +0.5 -0.2	10.6	2.00 ±0.50	---	---	---

QFN5x6 39L EP3 S Tape

Leader / Trailer  
& Orientation

Unit Per Reel:  
3000pcs



TRAILER TAPE  
300 mm MIN. OR

COMPONENTS TAPE  
ORIENTATION IN POCKET

LEADER TAPE  
500 mm MIN. OR