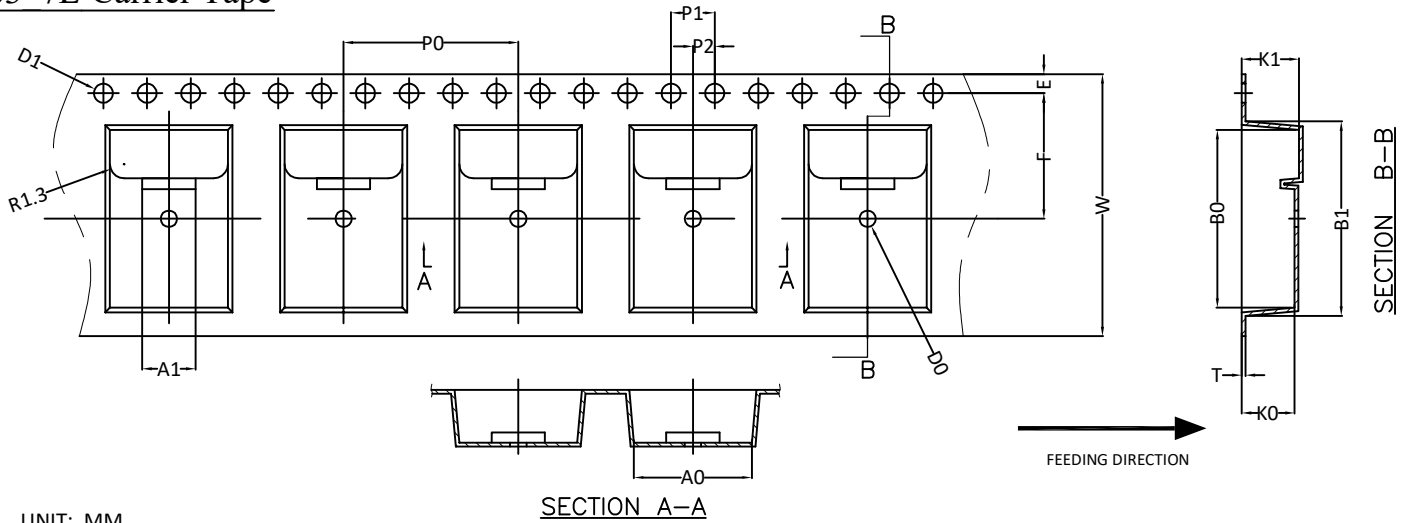


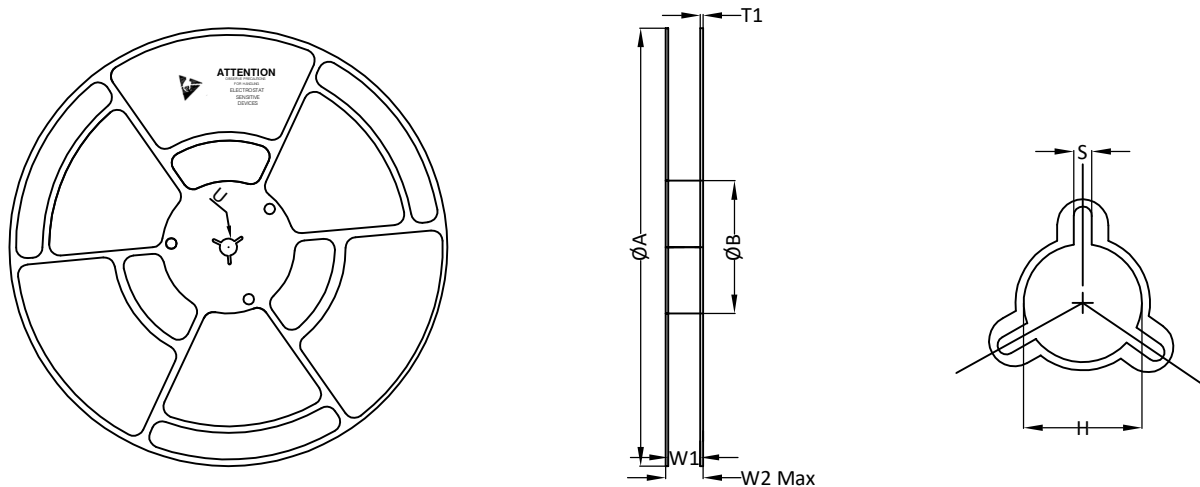
## TO263 7L Carrier Tape



UNIT: MM

A0	A1	B0	B1	K0	K1	D0	D1	W	E	F	P0	P1	P2	T
10.80	4.88	16.30	17.20	4.85	5.26	1.50	1.55	24.00	1.75	11.50	16.00	4.00	2.00	0.35
±0.10	±0.10	±0.10	±0.10	±0.10	±0.10	±0.10	±0.05	±0.30	±0.10	±0.10	±0.10	±0.10	±0.10	±0.05

## TO263 7L Reel



TAPE SIZE	REEL SIZE	A	B	W1	W2	H	S
24 mm	∅330	∅330.0 ±2.0	∅100.0 ±0.5	24.4 +1.0 0	30.4 Max	∅13.00 +0.5 -0.2	2.00 +0.5 -0.2

## TO263 7L Tape

 Leader / Trailer  
 & Orientation

 Unit Per Reel:  
 800pcs
