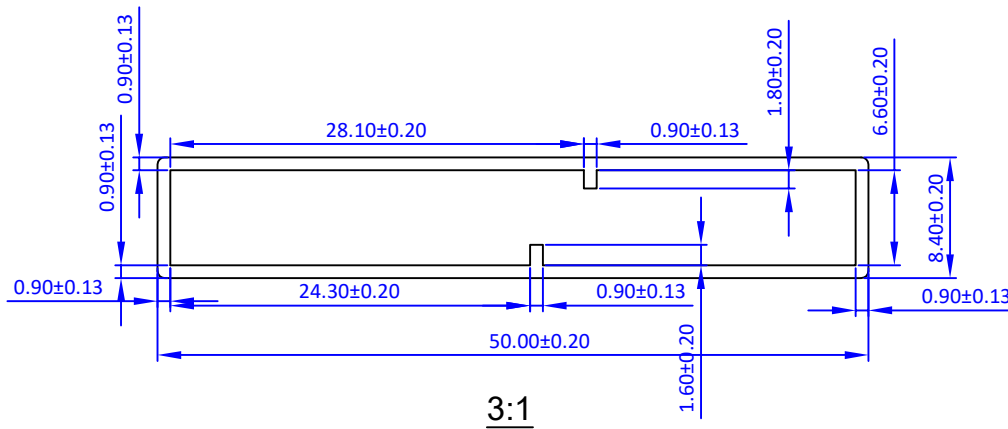
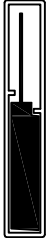
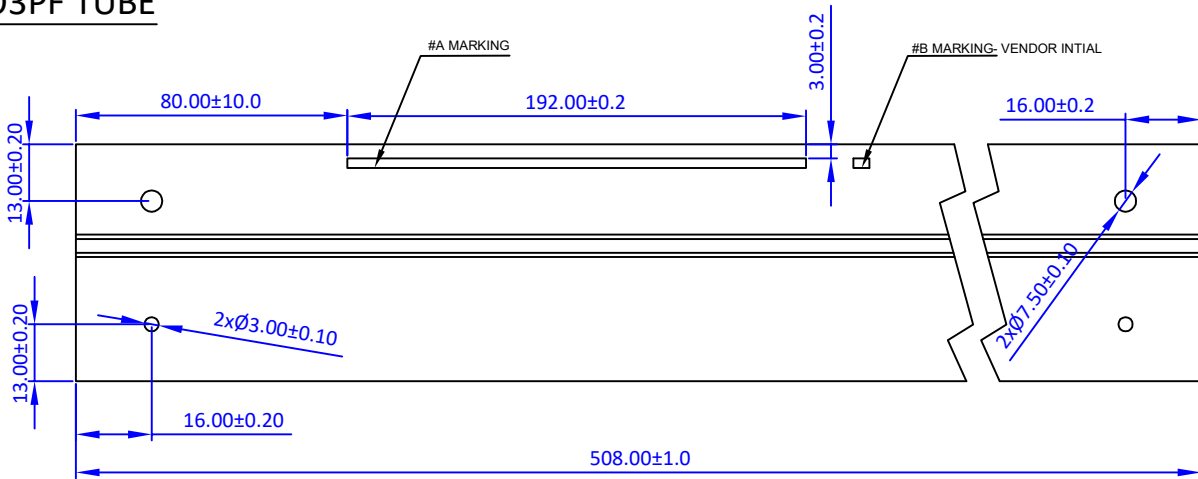
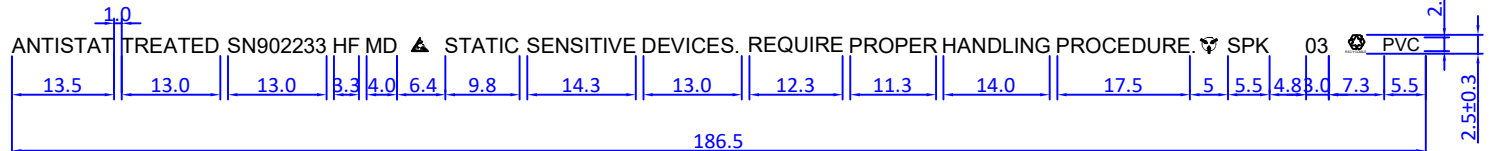




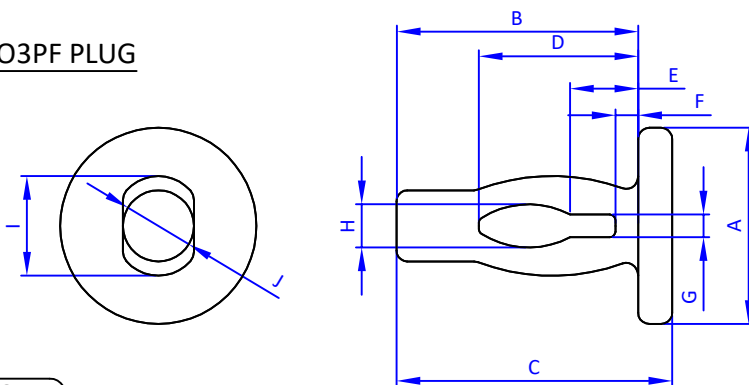
TO3PF TUBE



#A MARKING LAY-OUT (TOL'S ±2.0)



TO3PF PLUG



DIMENSION	CRITERION	DIMENSION	CRITERION
A	6.85±0.2	F	0.8±0.2
B	11.4±0.2	G	0.76±0.1
C	12.8±0.2	H	1.5±0.1
D	5.7±0.2	I	3.5±0.1
E	2.4±0.2	J	2.54±0.1

NOTE

- TUBE
 - MATERIAL :TRANS RIGID P.V.C ANTISTATIC TREATED
 - COLOR :

TUBE COLOR	PRINT COLOR	PLUG COLOR
CLEAR	BLACK	WHITE

- PACKING Q'TY :

PKG	Q'TY(PCS)
TO3PF	30