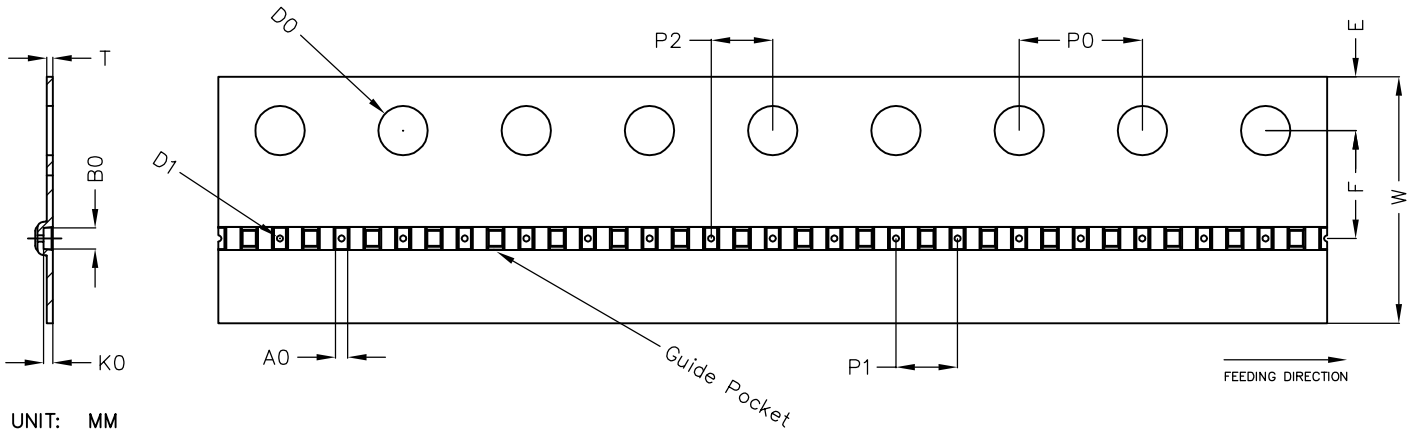




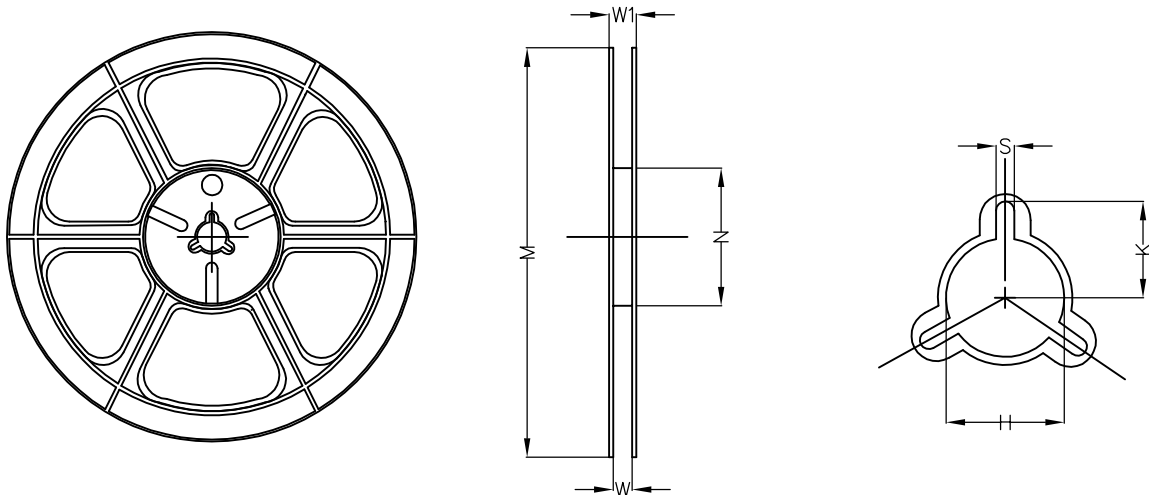
WLCSP0.63x0.33 3 Carrier Tape



UNIT: MM

| PACKAGE | A0 | B0 | K0 | D0 | D1 | W | E | F | P0 | P1 | P2 | T |
|----------------|---------------|---------------|---------------|------------------------|---------------|---------------|---------------|---------------|---------------|---------------|---------------|---------------|
| WLCSP0.63x0.33 | 0.39 ±0.03 | 0.69 ±0.03 | 0.30 ±0.03 | 1.50 +0.10 -0.00 | 0.20 ±0.05 | 8.00 ±0.10 | 1.75 ±0.10 | 3.50 ±0.05 | 4.00 ±0.10 | 2.00 ±0.10 | 2.00 ±0.05 | 0.20 ±0.02 |

WLCSP0.63x0.33 3 REEL



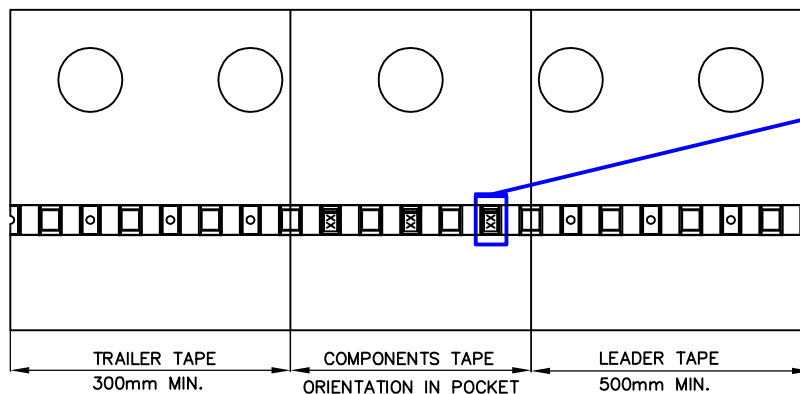
UNIT: MM

| TAPE SIZE | REEL SIZE | M | N | W | W1 | H | K | S |
|-----------|-----------|------------------|-----------------|---------------|----------------|--------------------------|-------|---------------|
| 8 mm | φ178 | φ178.00 ±1.00 | φ54.00 ±0.50 | 9.00 ±0.30 | 11.40 ±1.00 | φ13.00 +0.50 -0.20 | 10.60 | 2.00 ±0.50 |

WLCSP0.63x0.33 3 TAPE

Leader / Trailer
& Orientation

Unit Per Reel:
15000pcs



DETAIL:
UNIT DIRECTION IN POCKET

